
GARDNER DENVER®

302WPD997 Rev B
April 2008

WELL SERVICING PUMP

MODEL

GD-600

POWER END PARTS LIST

Gardner

Denver

ECN 1040704

GD-600 WELL SERVICING PUMP

MAINTAIN PUMP RELIABILITY AND PERFORMANCE WITH GENUINE GARDNER DENVER PARTS AND SUPPORT SERVICES

Gardner Denver® genuine pump parts are manufactured to design tolerances and are developed for optimum dependability. Design and material innovations are the result of years of experience with hundreds of different pump applications. Reliability in materials and quality assurance is incorporated in our genuine replacement parts.

Your authorized Gardner Denver Sales Office offers all the backup you'll need. The Tulsa Manufacturing Facility maintains a large inventory of genuine parts.

Gardner Denver supports your needs with these services:

1. Trained parts specialists to assist you in selecting the correct replacement parts.
2. Repair and maintenance kits designed with the necessary parts to simplify servicing your pump.

Authorized service technicians are factory trained and skilled in pump maintenance and repair. They are ready to respond and assist you by providing fast, expert maintenance and repair services.

For the location of your local authorized Gardner Denver distributor, refer to the yellow pages of your phone directory or contact:

Factory (Tulsa):	Service Center (Odessa):	Service Center (Ft. Worth):
Gardner Denver Well Servicing Pumps 4747 South 83 rd East Avenue Tulsa, Oklahoma 74145	Chaparral 2121 West 44 th Street Odessa, Tx 79768	Geoquip 7533 Kathy Lane Ft. Worth, Texas 76126
Phone: (918) 664-1151 (800) 637-8099	Phone: (432) 366-5433 (800) 368-1134	Phone: (817) 249-6400 (800) 824-0271
Fax: (918) 664-6225	Fax: (432) 363-9940	Fax: (817) 249-6401

INSTRUCTIONS FOR ORDERING REPAIR PARTS

When ordering parts, specify Pump MODEL and SERIAL NUMBER (see nameplate on unit). The Serial Number is also stamped on top of the cylinder end of the frame (cradle area).

All orders for Parts should be placed with the Tulsa or Ft. Worth facility.

Where NOT specified, quantity of parts required per pump or unit is one (1); where more than one is required per unit, quantity is indicated in parenthesis. **SPECIFY EXACTLY THE NUMBER OF PARTS REQUIRED.**

TABLE OF CONTENTS

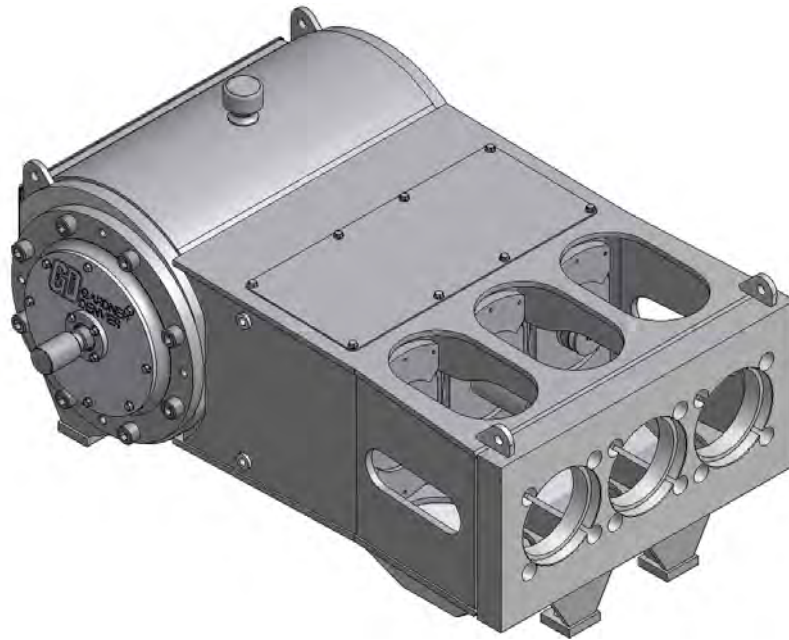
PARTS AND SUPPORT SERVICES	i
LIST OF FIGURES.....	ii
POWER END ASSEMBLY	1
GEARBOX ASSEMBLY (16 Inch Offset).....	7
GEARBOX ASSEMBLY (13 Inch Offset).....	12
EXTERNAL LUBE ASSEMBLY.....	17
APPENDIX “A” (Gearbox Positions – Left Hand Drive)	19
APPENDIX “A” (Gearbox Positions – Right Hand Drive).....	20
APPENDIX “B” (Warranty Policy).....	21

LIST OF FIGURES

Figure 1: GD-600 Power End Isometric View.....	1
Figure 2: GD-600 Power End Top View	1
Figure 3: GD-600 Power End Side View	2
Figure 4: GD-600 Power End Section A-A	3
Figure 5: GD-600 Power End Detail D	3
Figure 6: GD-600 Power End Section B-B	4
Figure 7: GD-600 Power End Section C-C.....	5
Figure 8: GD-600 Power End Detail E.....	5
Figure 9: 16 Inch Offset Gearbox Assembly Front View.....	7
Figure 10: 16 Inch Offset Gearbox Assembly Side View.....	7
Figure 11: 16 Inch Offset Gearbox Assembly Section A-A ISO View	8
Figure 12: 16 Inch Offset Gearbox Assembly Section B-B ISO View	8
Figure 13: 16 Inch Offset Gearbox Assembly Section A-A View	9
Figure 14: 16 Inch Offset Gearbox Assembly Section B-B View	10
Figure 15: 16 Inch Offset Gearbox Assembly View D-D.....	10
Figure 16: 13 Inch Offset Gearbox Assembly Front View.....	12
Figure 17: 13 Inch Offset Gearbox Assembly Side View.....	12
Figure 18: 13 Inch Offset Gearbox Assembly Section A-A ISO View	13
Figure 19: 13 Inch Offset Gearbox Assembly Section B-B ISO View	13
Figure 20: 13 Inch Offset Gearbox Assembly Section A-A View	14
Figure 21: 13 Inch Offset Gearbox Assembly Section B-B View	15
Figure 22: 13 Inch Offset Gearbox Assembly View D-D.....	15
Figure 23: GD-600 Lube Assembly, Off Drive Side ISO View	17
Figure 24: GD-600 Lube Assembly, Drive Side ISO View.....	18
Figure 25: GD-600 Lube Assembly, Bottom View	18

POWER END ASSEMBLY

Order by Part Number and Description. Reference Numbers are for your convenience only.



Ref. Drawing
308WPD810

Figure 1: GD-600 Power End Isometric View

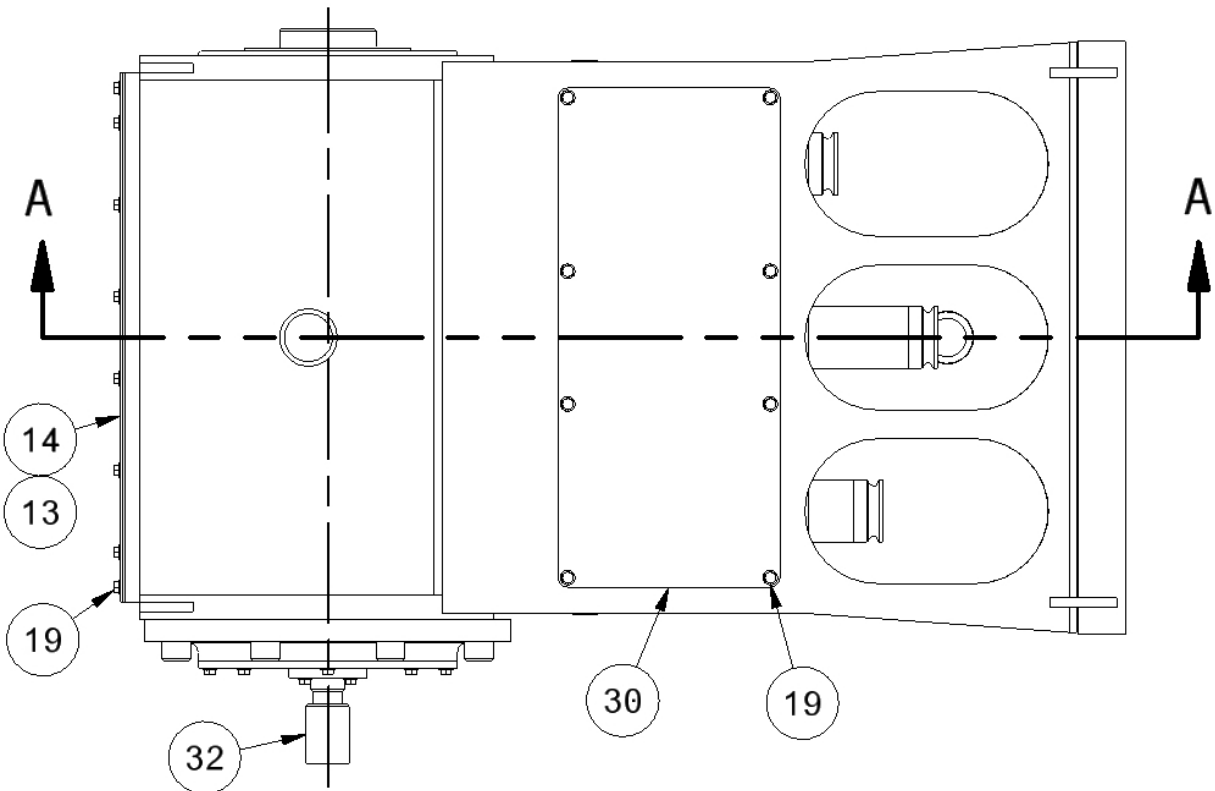


Figure 2: GD-600 Power End Top View

POWER END ASSEMBLY (Continued)

Order by Part Number and Description. Reference Numbers are for your convenience only.

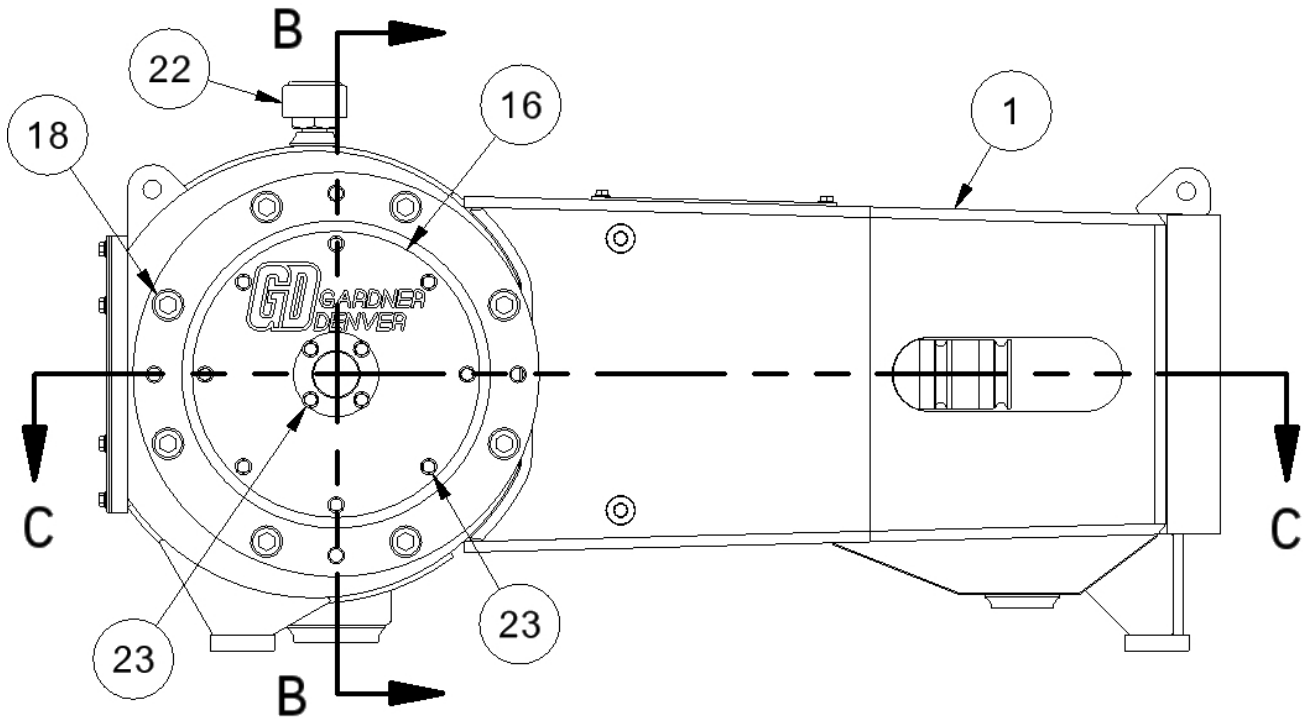


Figure 3: GD-600 Power End Side View

Ref. Drawing
308WPD810

POWER END ASSEMBLY (Continued)

Order by Part Number and Description. Reference Numbers are for your convenience only.

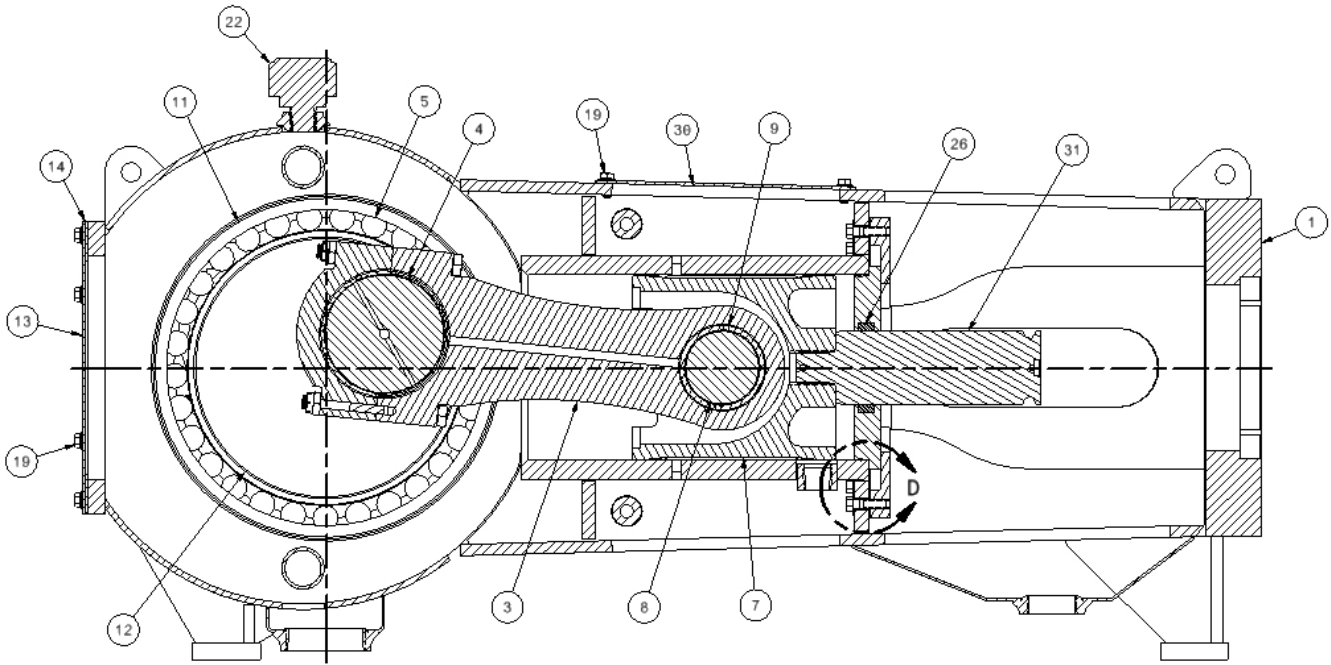


Figure 4: GD-600 Power End Section A-A

Ref. Drawing
308WPD810

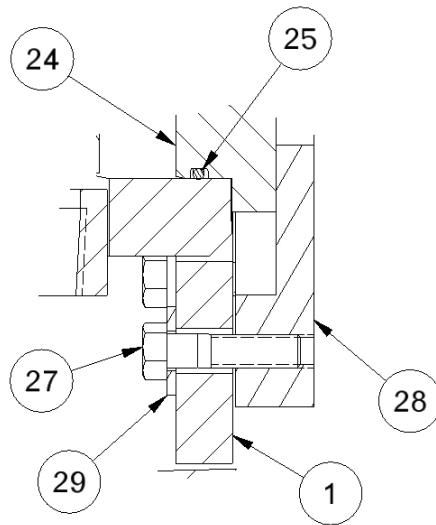
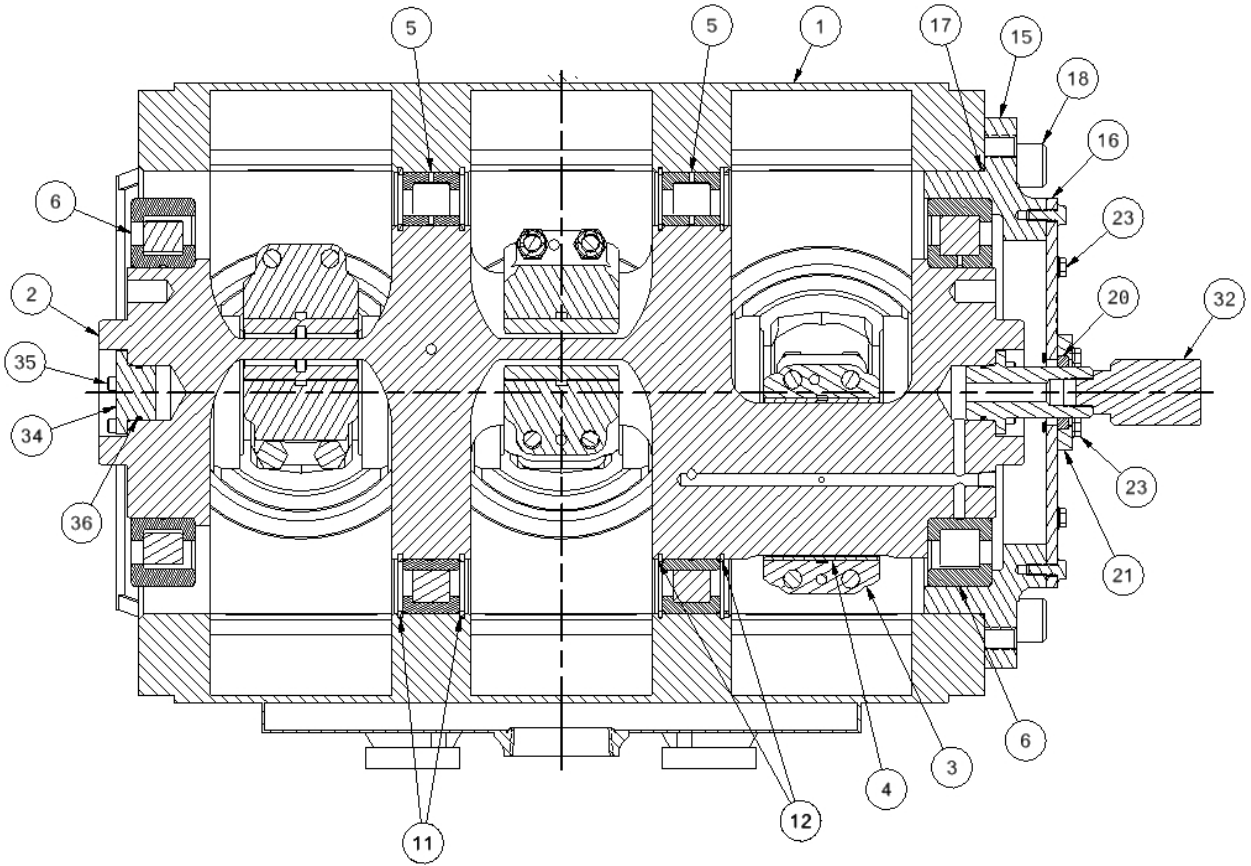


Figure 5: GD-600 Power End Detail D

POWER END ASSEMBLY (Continued)

Order by Part Number and Description. Reference Numbers are for your convenience only.



Ref. Drawing
308WPD810

Figure 6: GD-600 Power End Section B-B

POWER END ASSEMBLY (Continued)

Order by Part Number and Description. Reference Numbers are for your convenience only.

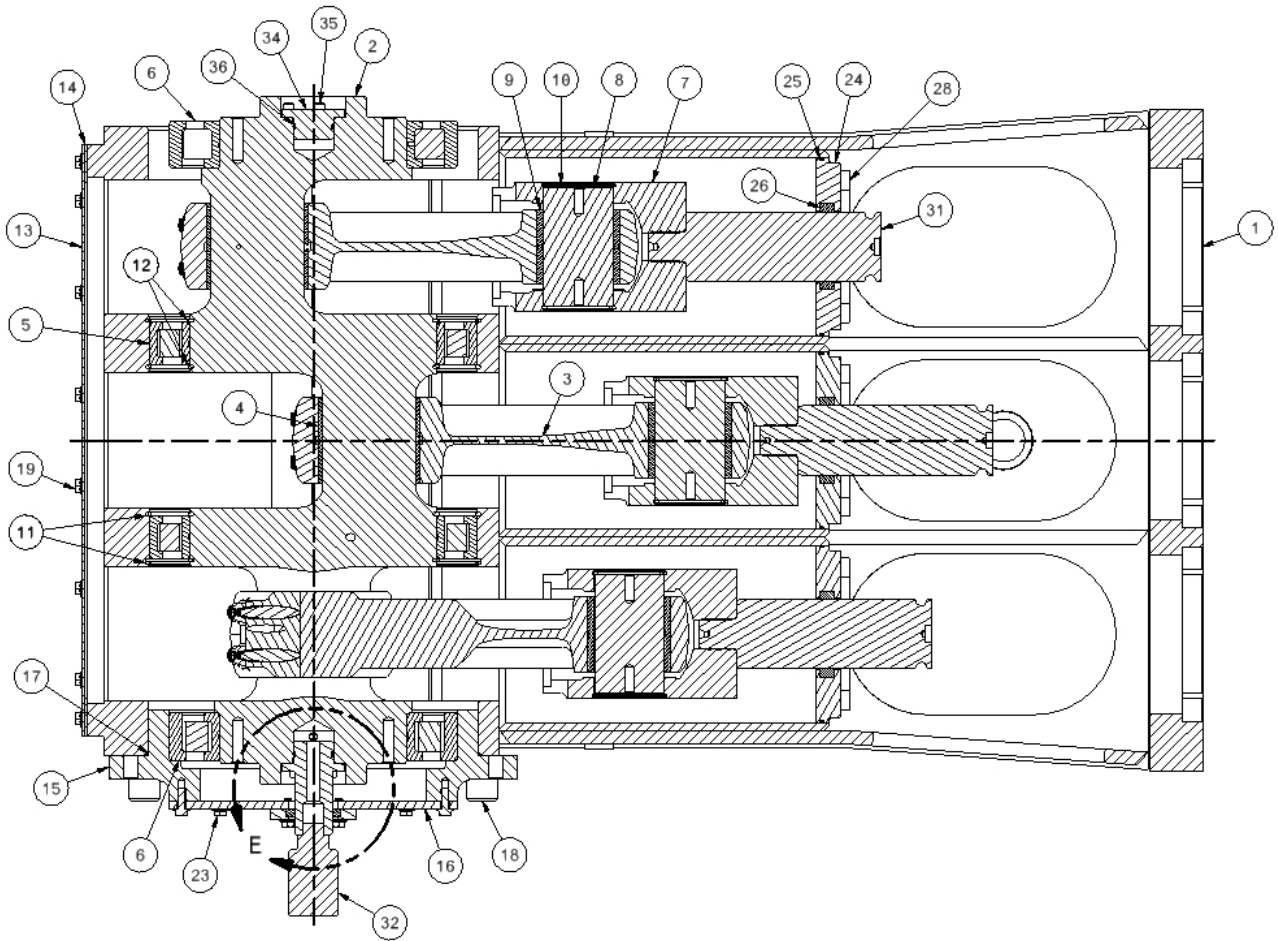


Figure 7: GD-600 Power End Section C-C

Ref. Drawing
308WPD810

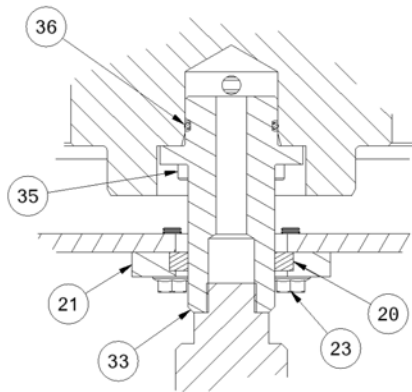


Figure 8: GD-600 Power End Detail E

Order by Part Number and Description. Reference Numbers are for your convenience only.

POWER END ASSEMBLY

Ref. No.	Name of Part	Qty.	Part No.
1	FRAME	1	PP1016145
2	CRANKSHAFT	1	PP1010928
3	CONNECTING ROD	3	PP1011091
4	BEARING - CONNECTING ROD	3	100108
5	BEARING - MAIN, INSIDE FLOATING	2	100111
6	BEARING - MAIN OUTER	2	VP1031608
7	CROSSHEAD	3	PP1011025
8	WRIST PIN	3	PP1028598
9	BUSHING	3	917PN01
10	RETAINING RING – CROSSHEAD PIN	6	926SH01-3
11	RETAINING RING – MAIN BEARINGS (FRAME)	4	VP1017135
12	RETAINING RING – MAIN BEARINGS (CRANKSHAFT)	4	VP1017134
13	INSPECTION PLATE - REAR	1	PP1017092
14	GASKET – REAR INSPECTION PLATE	1	PP1017129
15	BEARING HOUSING – OFF DRIVE SIDE	1	PP1016875
16	COVER – OFF DRIVE SIDE BEARING HOUSING	1	PP1017008
17	O-RING	1	VP1017132
18	SCREW – SOCKET HEAD	8	75P153
19	SCREW – HEX HEAD	38	75LM51
20	OIL SEAL	1	901SH02-13
21	RETAINER – ROTARY UNION ADAPTOR SEAL	1	342-A-75
22	BREATHER – 1” CONNECTION	1	910PN05
23	SCREW – HEX HEAD	12	75K48
24	OIL STOP HEAD	3	PP1016903
25	O-RING	3	115205
26	OIL SEAL - EXTENSION ROD	3	VP1027765
27	SCREW – HEX HEAD	18	351954
28	RETAINER – OIL STOP HEAD	6	PP1028144
29	WASHER – PLAIN	18	95A3
30	INSPECTION PLATE – TOP	1	PP1017282
31	EXTENSION ROD	3	285PN004
32	ROTARY UNION	1	922PN01
33	ADAPTER – ROTARY UNION	1	342-A-74
34	PLUG – CRANKSHAFT LUBE	1	PP1017167
35	SCREW – SOCKET HEAD	8	454VP034-006
36	O-RING	2	901SH05-223

GEARBOX ASSEMBLY (16 Inch Offset)

Order by Part Number and Description. Reference Numbers are for your convenience only.

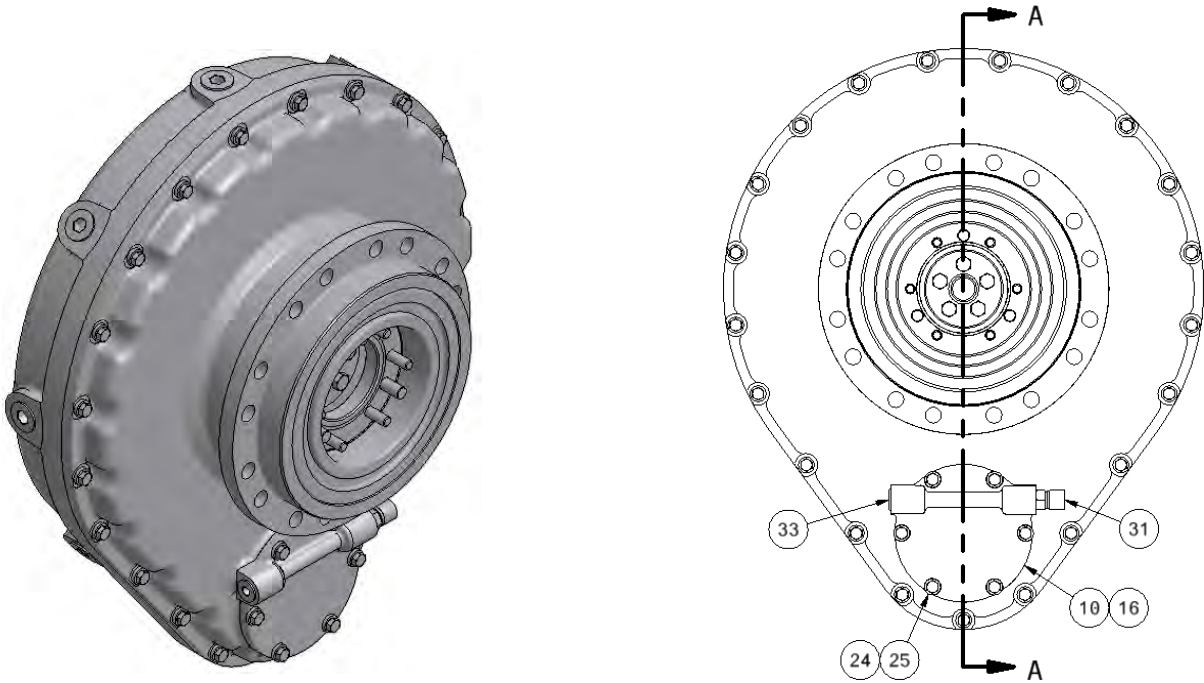


Figure 9: 16 Inch Offset Gearbox Assembly Front View

Ref. Drawing
309WPD810

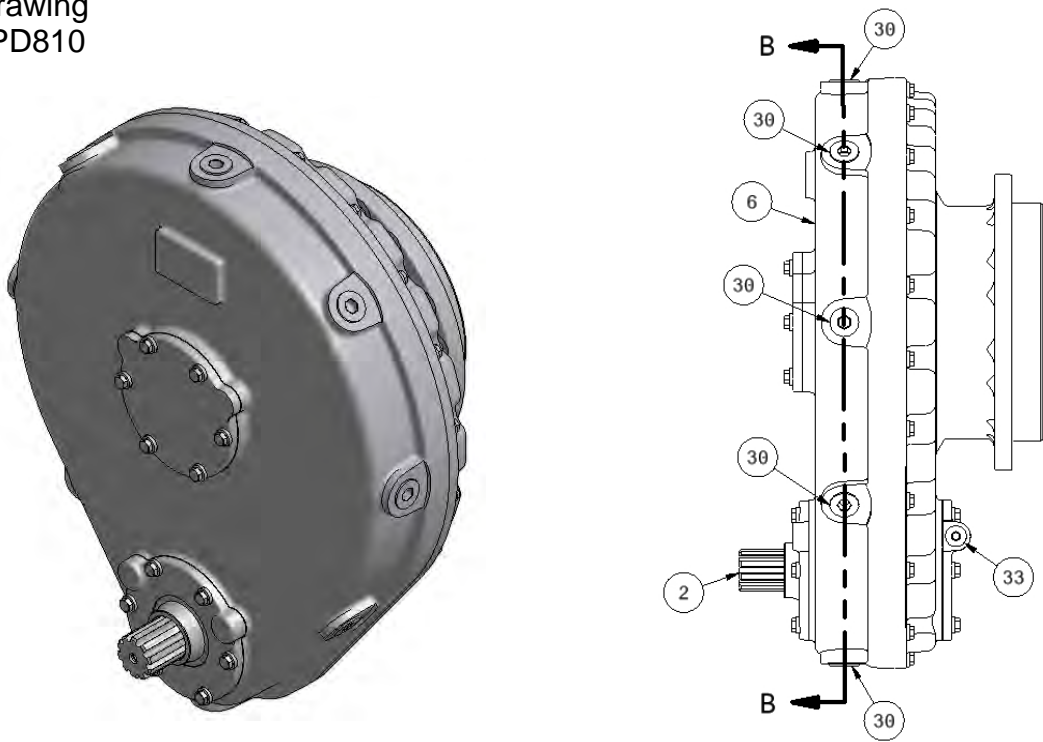


Figure 10: 16 Inch Offset Gearbox Assembly Side View

**GEARBOX ASSEMBLY (16 Inch Offset)
(Continued)**

Order by Part Number and Description. Reference Numbers are for your convenience only.

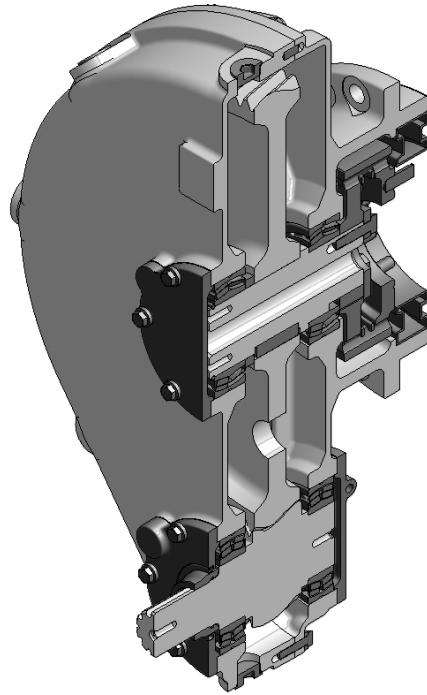


Figure 11: 16 Inch Offset Gearbox Assembly Section A-A ISO View

Ref. Drawing
309WPD810

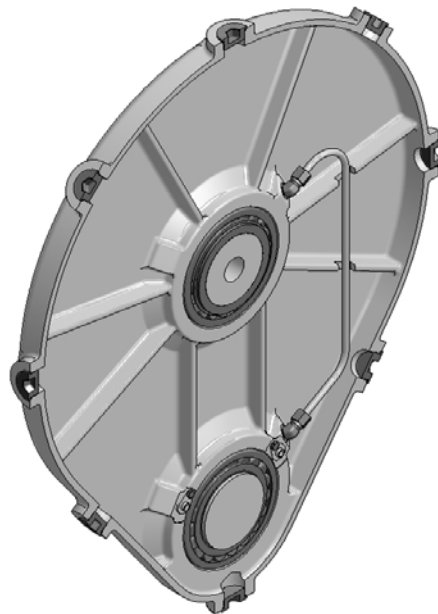


Figure 12: 16 Inch Offset Gearbox Assembly Section B-B ISO View

GEARBOX ASSEMBLY (16 Inch Offset) (Continued)

Order by Part Number and Description. Reference Numbers are for your convenience only.

Ref. Drawing
309WPD810

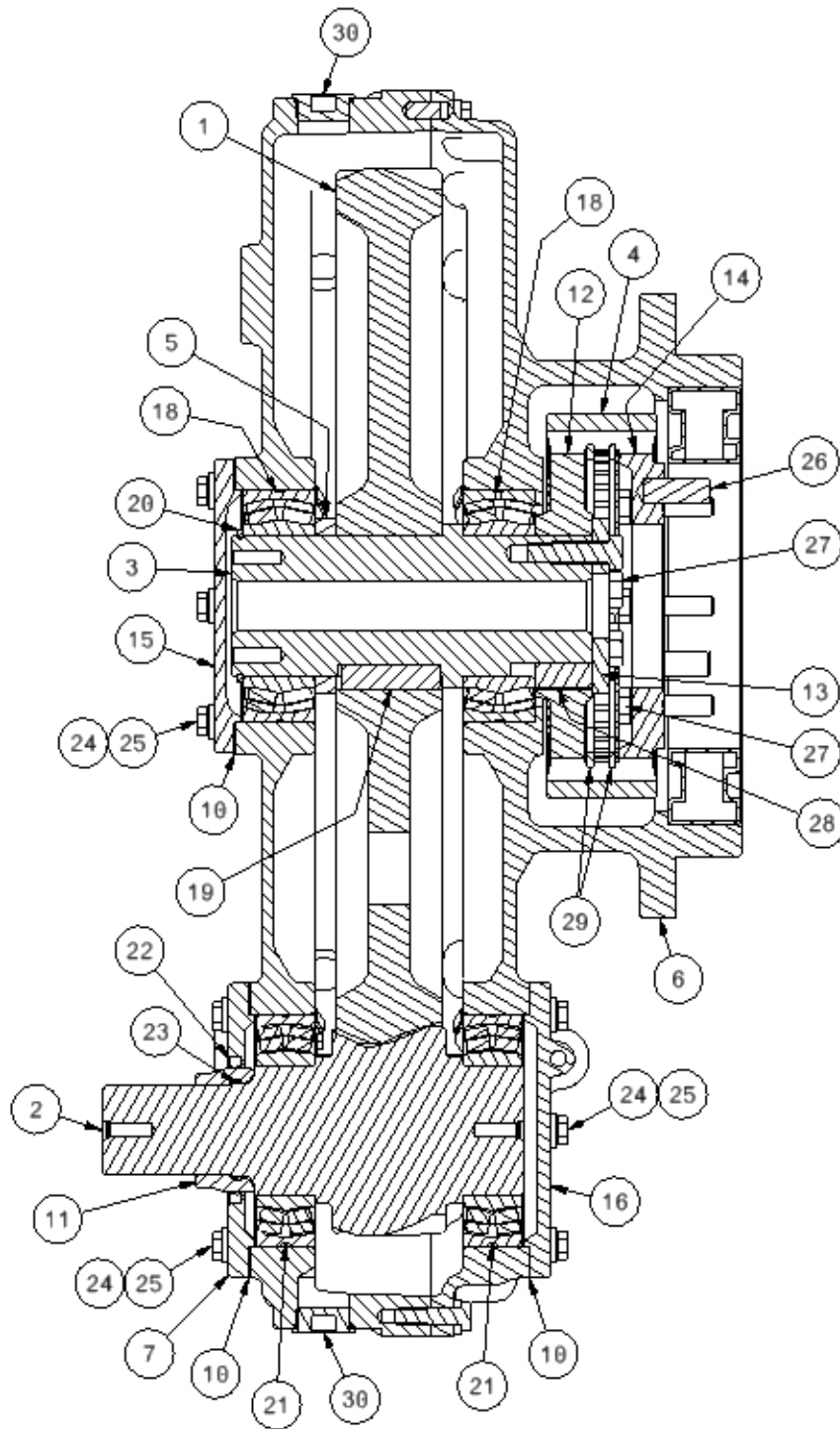
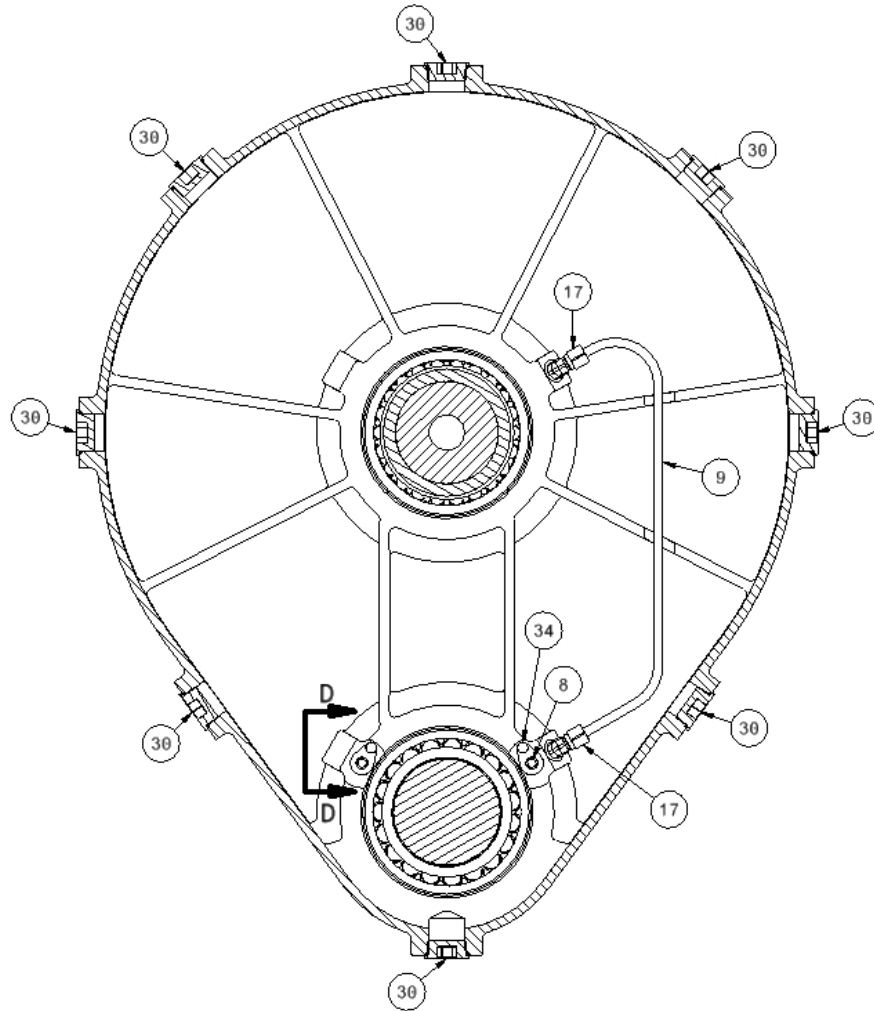


Figure 13: 16 Inch Offset Gearbox Assembly Section A-A View

**GEARBOX ASSEMBLY (16 Inch Offset)
(Continued)**

Order by Part Number and Description. Reference Numbers are for your convenience only.



Ref. Drawing
309WPD810

Figure 14: 16 Inch Offset Gearbox Assembly Section B-B View

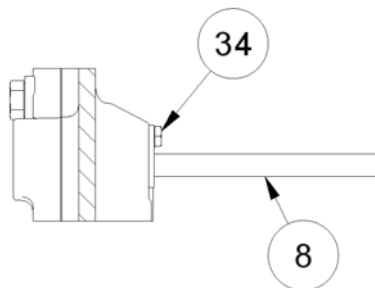


Figure 15: 16 Inch Offset Gearbox Assembly View D-D

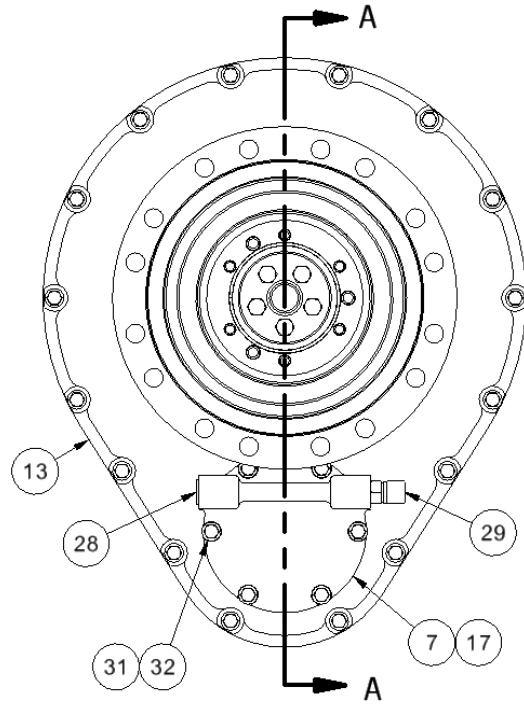
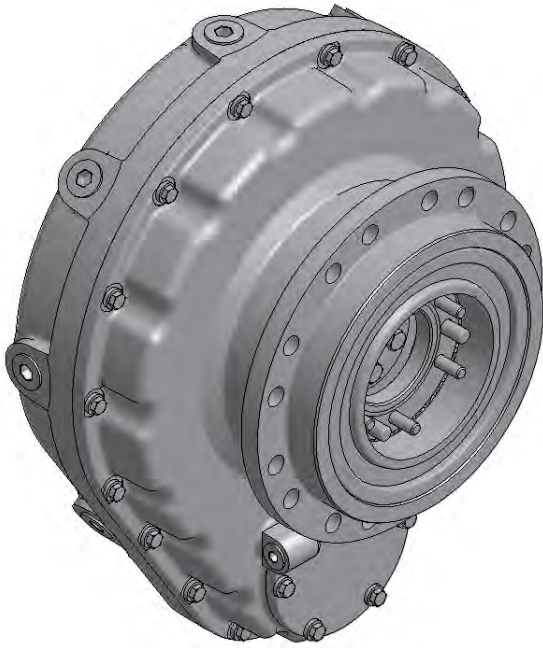
Order by Part Number and Description. Reference Numbers are for your convenience only.

GEAR BOX ASSEMBLY
16 Inch Offset

Ref. No.	Name of Part	Qty.	Part No.
1	DRIVEN GEAR	1	PP1018969
2	DRIVER (PINION) GEAR	1	PP1018971
3	MAIN SHAFT	1	PP1019007
4	COUPLING	1	PP1018933
5	SPACER	1	PP1018934
6	GEAR HOUSING	1	PP1018972
7	RETAINER PLATE – HIGH SPEED	1	PP1018935
8	SPRAY BAR	2	PP1018973
9	TUBE ASSEMBLY	2	PP1018974
10	GASKET	3	PP1018936
11	SPACER – COMPANION FLANGE	1	PP1018937
12	SPLINE – GEARBOX DRIVE	1	PP1018938
13	RETAINER – GEARBOX DRIVE SPLINE	1	PP1018939
14	SPLINE – CRANKSHAFT DRIVE	1	PP1018940
15	RETAINER PLATE – LOW SPEED	1	PP1018941
16	RETAINER PLATE – HIGH SPEED (LUBE INLET)	1	PP1018931
17	TUBE FITTING	4	VP1019038
18	ROLLER BEARING – DRIVEN GEAR	2	VP1019033
19	KEY	1	PP1019042
20	RETAINING RING	1	VP1019045
21	ROLLER BEARING – DRIVER (PINION) GEAR	2	VP1019034
22	OIL SEAL	1	VP1019035
23	O-RING	1	25BC240
24	WASHER	18	VP1019032
25	SCREW – HEX HEAD	18	655EE080
26	DOWEL PIN	3	VP1019030
27	SCREW – HEX HEAD	11	655EF100
28	KEY	1	PP1019043
29	RETAINING RING	2	VP1031740
30	PIPE FITTING	8	VP1019037
31	ADAPTER	1	VP1019072
33	PIPE FITTING	1	VP1019040
34	SCREW – HEX HEAD	2	655EC020
*	COMPANION FLANGE – SPICER 1810	1	932PN01
*	COMPANION FLANGE – SPICER 1880	1	601323000
*	SPACER FOR – SPICER 1880	1	PP1035284
*	WASHER	1	491PN02
*	SCREW-HEX HEAD	1	655EE060
*	NOT SHOWN		

GEARBOX ASSEMBLY (13 Inch Offset)

Order by Part Number and Description. Reference Numbers are for your convenience only.



Ref. Drawing
303FWB810

Figure 16: 13 Inch Offset Gearbox Assembly Front View

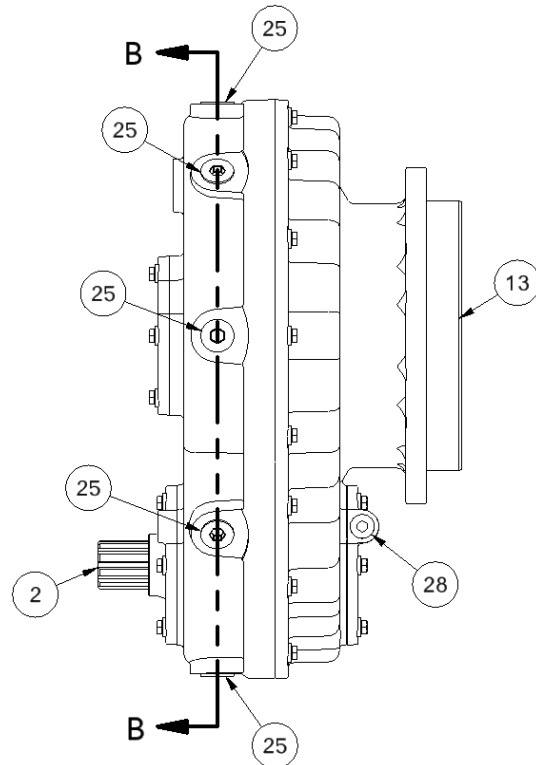


Figure 17: 13 Inch Offset Gearbox Assembly Side View

GEARBOX ASSEMBLY (13 Inch Offset) (Continued)

Order by Part Number and Description. Reference Numbers are for your convenience only.

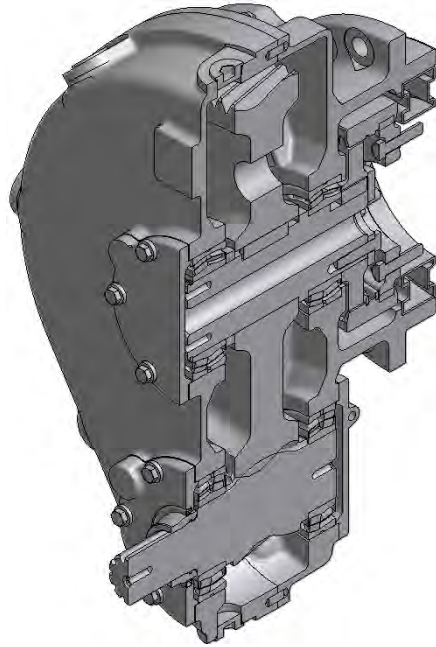


Figure 18: 13 Inch Offset Gearbox Assembly Section A-A ISO View

Ref. Drawing
303FWB810

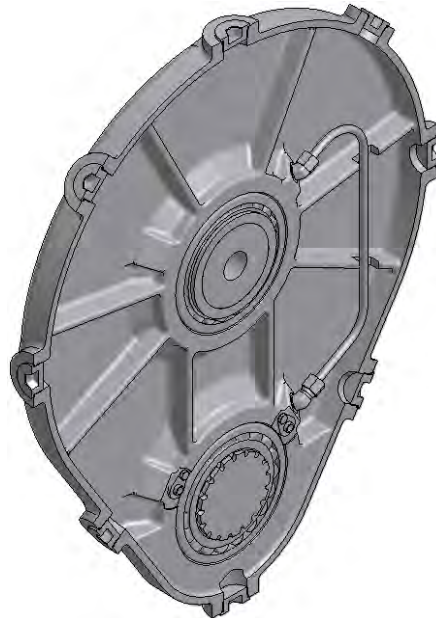
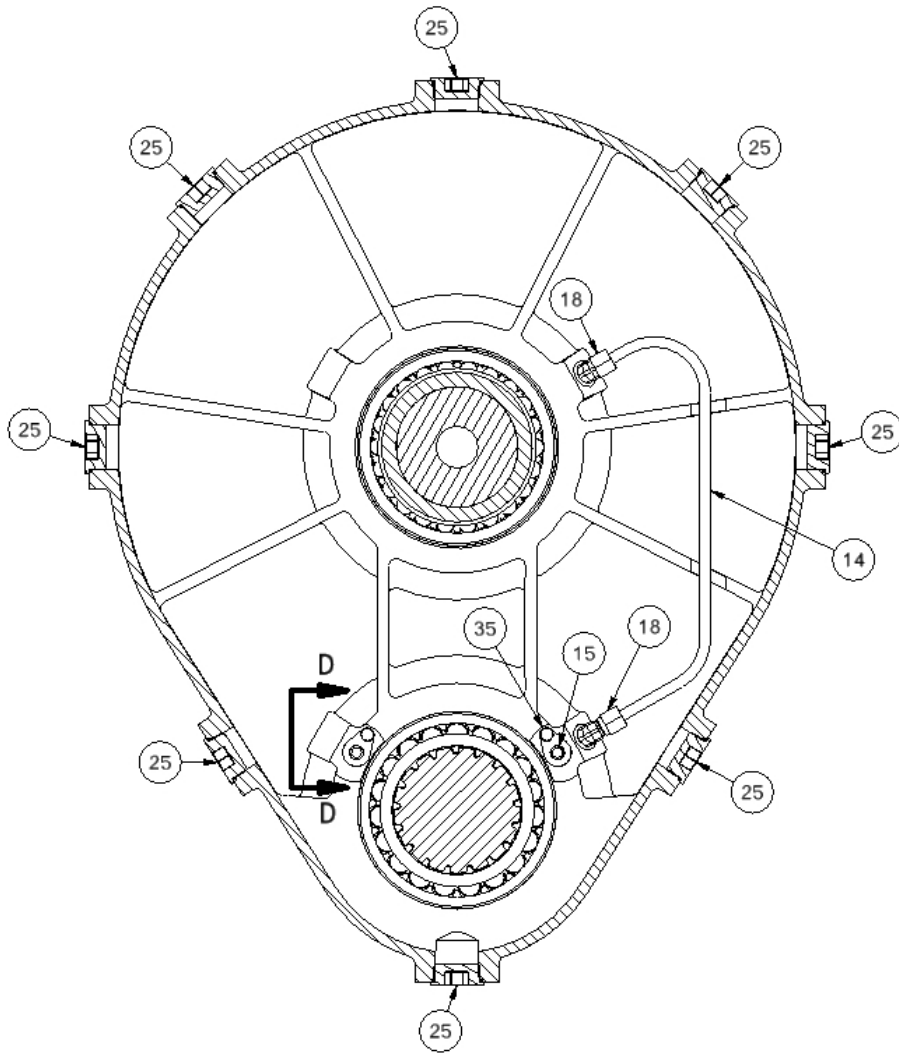


Figure 19: 13 Inch Offset Gearbox Assembly Section B-B ISO View

**GEARBOX ASSEMBLY (13 Inch Offset)
(Continued)**

Order by Part Number and Description. Reference Numbers are for your convenience only.



Ref. Drawing
303FWB810

Figure 21: 13 Inch Offset Gearbox Assembly Section B-B View

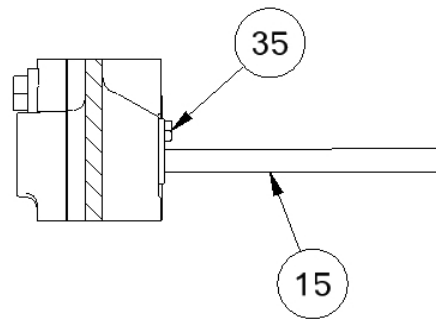


Figure 22: 13 Inch Offset Gearbox Assembly View D-D

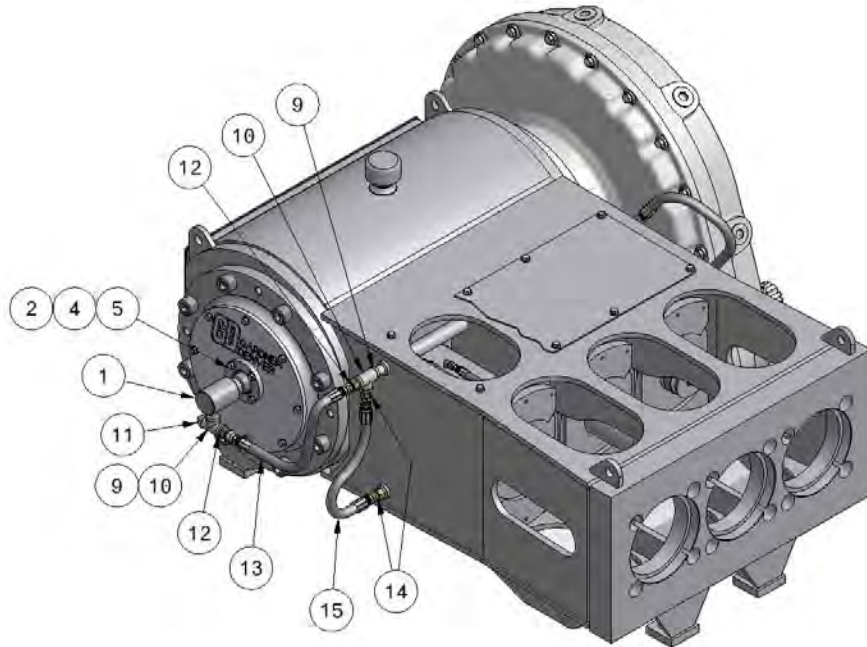
Order by Part Number and Description. Reference Numbers are for your convenience only.

GEAR BOX ASSEMBLY
13 Inch Offset

Ref. No.	Name of Part	Qty.	Part No.
1	DRIVEN GEAR	1	PP1018915
2	DRIVER (PINION) GEAR	1	PP1018917
3	MAIN SHAFT	1	PP1018918
4	COUPLING	1	PP1018933
5	SPACER	1	PP1018934
6	RETAINER PLATE – HIGH SPEED	1	PP1018935
7	GASKET	3	PP1018936
8	SPACER – COMPANION FLANGE	1	PP1018937
9	SPLINE – GEARBOX DRIVE	1	PP1018938
10	RETAINER – GEARBOX DRIVE SPLINE	1	PP1018939
11	SPLINE – CRANKSHAFT DRIVE	1	PP1018940
12	RETAINER PLATE – LOW SPEED	1	PP1018941
13	GEAR HOUSING	1	PP1018927
14	TUBE ASSEMBLY	2	PP1018929
15	SPRAY BAR	2	PP1018930
17	RETAINER PLATE – HIGH SPEED (LUBE INLET)	1	PP1018931
18	TUBE FITTING	4	VP1019038
19	ROLLER BEARING – DRIVEN GEAR	2	VP1019033
20	KEY	1	PP1019042
21	RETAINING RING	1	VP1019045
22	KEY	1	PP1019043
23	ROLLER BEARING – DRIVER (PINION) GEAR	2	VP1019034
24	RETAINING RING	2	VP1031740
25	PIPE FITTING	8	VP1019037
26	SCREW – HEX HEAD	11	655EF100
27	OIL SEAL	1	VP1019035
28	PIPE FITTING	1	VP1019040
29	ADAPTER	1	VP1019072
30	DOWEL PIN	3	VP1019030
31	WASHER	18	VP1019032
32	SCREW – HEX HEAD	18	655EE080
34	O-RING	1	25BC240
35	SCREW – HEX HEAD	2	655EC020
*	COMPANION FLANGE	1	932PN01
*	WASHER	1	491PN02
*	SCREW-HEX HEAD	1	655EE060
*	NOT SHOWN		

EXTERNAL LUBE ASSEMBLY (Shown with left hand drive gearbox)

Order by Part Number and Description. Reference Numbers are for your convenience only.



Ref. Drawing
310WPD810

Figure 23: GD-600 Lube Assembly, Off Drive Side ISO View

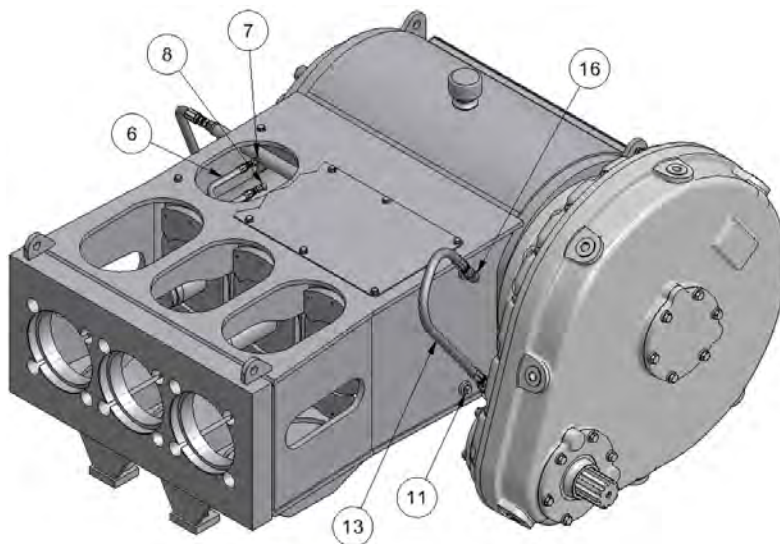


Figure 24: GD-600 Lube Assembly, Drive Side ISO View

**EXTERNAL LUBE ASSEMBLY (CONTINUED)
(Shown with left hand drive gearbox)**

Order by Part Number and Description. Reference Numbers are for your convenience only.

Ref. Drawing
310WPD810

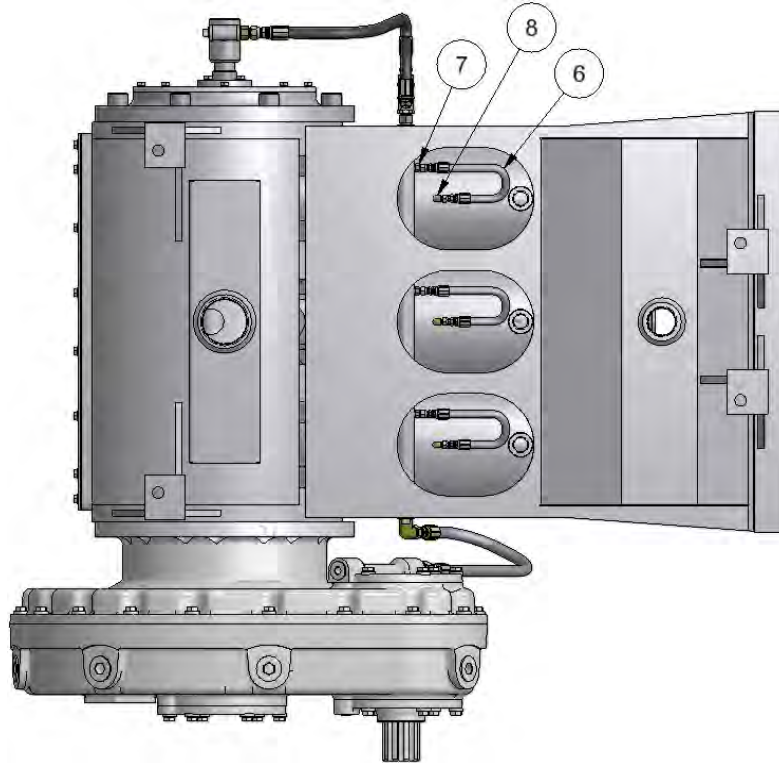
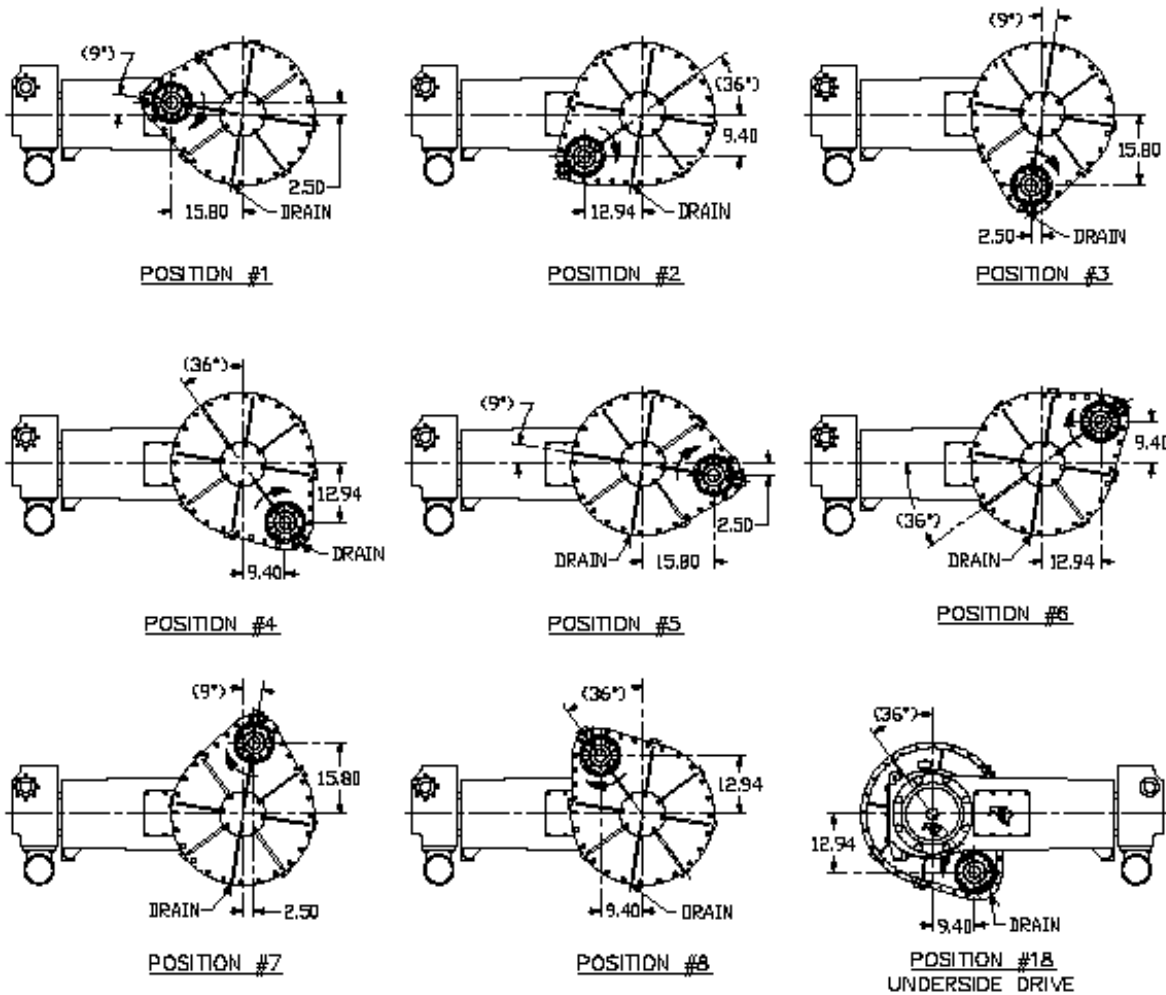


Figure 25: GD-600 Lube Assembly, Bottom View

LUBE ASSEMBLY

Ref. No.	Name of Part	Qty.	Part No.
1*	ROTARY UNION	1	922PN01
2*	ADAPTER – ROTARY UNION	1	342-A-74
3*	PLUG – CRANKSHAFT LUBE	1	PP1017167
4*	SCREW – SOCKET HEAD	8	454VP034-006
5*	O-RING	2	901SH05-223
6	HOSE ASSEMBLY	6	082277
7	HOSE ADAPTER	6	29Z205
8	HOSE ADAPTER	6	119113
9	PIPE NIPPLE	2	63F1
10	PIPE TEE	2	64G6
11	PIPE PLUG	2	64AA7
12	HOSE ADAPTER	2	29Z225
13	HOSE ASSEMBLY	2	100063
14	HOSE ADAPTER	2	29Z212
15	HOSE ASSEMBLY	1	301FWD2036

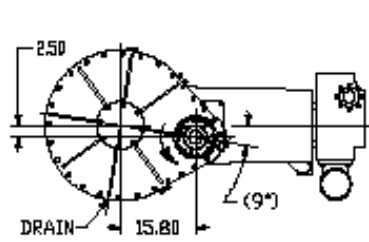
APPENDIX "A" (Gearbox Positions – Left Hand Drive)



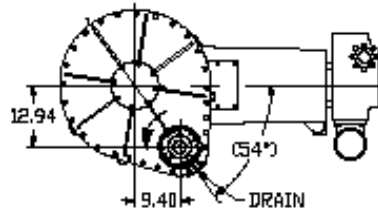
RELATIVE POSITIONS
OF THE 3" NPT LUBE
OIL DRAIN OPENINGS

NOTE:
IN ALL POSITIONS SHOWN,
THE MATING FACE OF THE
DRIVE COUPLING IS TOWARD
THE MEWER, WITH THE
RECOMMENDED ROTATION
INDICATED BY THE ARROW.

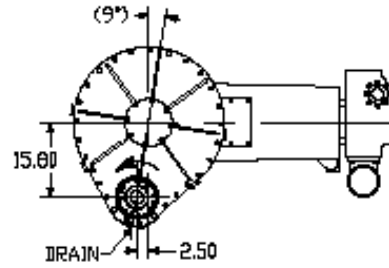
APPENDIX "A" (Gearbox Positions – Right Hand Drive)



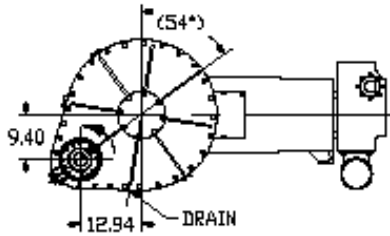
POSITION #9



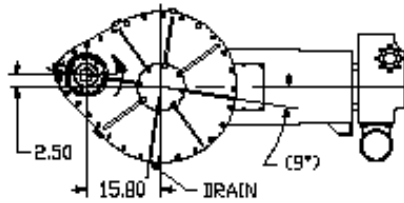
POSITION #10



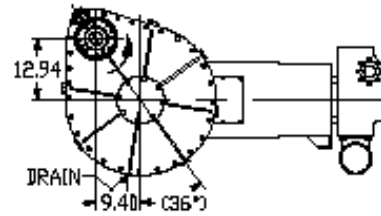
POSITION #11



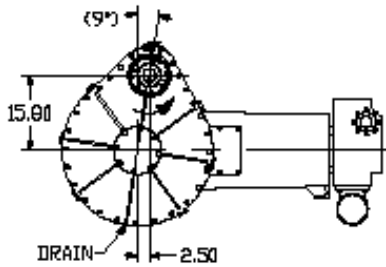
POSITION #12



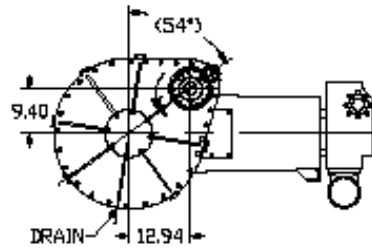
POSITION #13



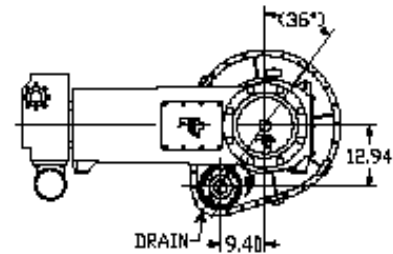
POSITION #14



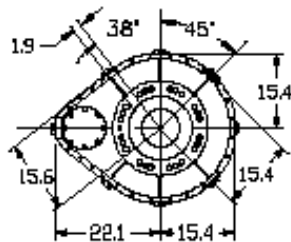
POSITION #15



POSITION #16



POSITION #17
UNDERSIDE DRIVE



RELATIVE POSITIONS
OF THE 3" NPT LUBE
OIL DRAIN OPENINGS

NOTE:
IN ALL POSITIONS SHOWN,
THE MATING FACE OF THE
DRIVE COUPLING IS TOWARD
THE VIEWER, WITH THE
RECOMMENDED ROTATION
INDICATED BY THE ARROW.



PRODUCT WARRANTY

GARDNER DENVER PETROLEUM PUMPS

GENERAL PROVISIONS AND LIMITATIONS

Gardner Denver (the "Company") warrants to each original retail purchaser ("Purchaser") of its new products, assemblies or parts from the Company or its authorized distributors that such products are, at the time of delivery to the Purchaser, made with good material and workmanship. No warranty is made with respect to:

1. Any product which has been repaired or altered in such a way, in the Company's judgment, as to affect the product adversely.
2. Any product which has, in the Company's judgment, been subject to negligence, accident, or improper storage, improper installation, operation or application. (Examples: over-pressure, sand-outs, cavitation, corrosion, erosion or degradation).
3. Any product which has not been operated or maintained in accordance with the recommendations of the Company.
4. Components or accessories manufactured, warranted and serviced by others.
5. Any reconditioned or prior owned product.

Claims for items described in (4) above should be submitted directly to the manufacturer.

WARRANTY PERIOD

The Company's obligation under this warranty is limited to repairing or, at its option, replacing, during normal business hours at an authorized service facility of the Company, any part or assembly which in the Company's judgment proved to have unsatisfactory material or workmanship within the applicable Warranty Period as follows.

Except for the products or components listed below, and subject to the limitations and restrictions set forth in the "Disclaimer" section set forth below, the Warranty Period for all products is 1,250 hours of operation or three (3) months after start-up, not to exceed 120 days after delivery to Purchaser, whichever occurs first. The exceptions are as follows:

1. Power end is warranted for twelve (12) months from date of start-up or eighteen (18) months from

date of delivery to the Purchaser, whichever occurs first.

2. Forged steel fluid cylinders are warranted for materials and workmanship for 6 months from the date of installation or 18 months from the date of delivery to the purchaser, which ever occurs first.
3. Repairs are warranted for 90 days from the date of delivery, for the workmanship and materials of the new parts installed.
4. Weld repaired fluid ends and weld repaired components are not warranted.
5. Expendable fluid end parts, including, but not limited to, valves, valve parts, packing, liners and pistons, are not covered by this warranty due to variable abrasive nature of material pumped.

PRESERVATION ASSEMBLIES DESTINED FOR STORAGE

In order for warranty acceptance any pump assembly not immediately installed or destined to be in storage or in transit for extended periods of time must be prepared for storage as defined in the Company's Long Term Storage Procedure. This includes but is not limited to:

- Drain and thoroughly clean inside power end crankcase.
- Spray rust inhibiting oil on all bearing, machined and inside surfaces of the power end.
- Induce clean gear oil into any circulating pump, filter, heat exchanger and piping.
- Remove valves, seats and plungers from the fluid end. Thoroughly clean and dry these parts and all internal surfaces. Coat all cylinder bores, valve covers and reusable expendable parts with rust preventative.
- Flush all water, and contaminants from pump, tanks, hoses and spray nozzles. Spray all components with a rust inhibiting oil.
- Rotate pump every 30 days to insure bearings are oiled.
- At the expense of the Purchaser, any product properly preserved must be inspected by an authorized agent of the Company, prior to the Company, granting any extended warranty beyond that stated in this warranty.



PRODUCT WARRANTY

GARDNER DENVER PETROLEUM PUMPS

LABOR TRANSPORTATION AND INSPECTION

The Company will provide labor, by Company representative or authorized service personnel, for repair or replacement of any product or part thereof which in the Company's judgment is proved not to be as warranted. Labor shall be limited to the amount specified in the Company's labor rate schedule. Labor costs in excess of the Company rate schedules caused by, but not limited to, location or inaccessibility of the equipment, or labor provided by unauthorized service personnel is not provided for by this warranty.

All costs of transportation of product or parts claimed not to be as warranted and, of repaired or replacement parts to or from such service facility shall be borne by the Purchaser. The Company may require the return of any part claimed not to be as warranted to one of its facilities as designated by the Company, transportation prepaid by the Purchaser, to establish a claim under this warranty.

Replacement parts provided under the terms of this warranty are warranted for the remainder of the Warranty Period of the product upon which installed to the same extent as if such parts were original components.

The Company may request a root cause analysis be performed in-order to identify if a request for warranty claim meets the requirements of this warranty.

DISCLAIMER

Except as to title, the foregoing warranty is the sole and exclusive warranty of the Company. The Company hereby extends other manufactures' warranty or guaranties, if any given to Company by such manufacturer, but only to the extent the Company is able to enforce such warranty or guaranties. The Company has not authorized any party to make any representation or warranty other than as expressly set forth herein. SELLER HEREBY DISCLAIMS AND EXCLUDES ANY OTHER EXPRESS, IMPLIED OR STATUTORY WARRANTIES, ARISING BY OPERATION OF LAW OR OTHERWISE, INCLUDING, WITHOUT LIMITATION, ANY WARRANTIES OF MERCHANTABILITY OR FITNESS FOR A PARTICULAR PURPOSE. COMPANY MAKES NO WARRANTIES OR REPRESENTATIONS OF ANY KIND WHATSOEVER (EXPRESS, IMPLIED OR STATUTORY), OF LAW OR OTHERWISE, ON ANY EQUIPMENT, COMPONENT PARTS OR

ACCESSORIES SOLD HEREUNDER WHICH, ARE NOT MANUFACTURED BY COMPANY.

NOTWITHSTANDING ANYTHING HEREIN TO THE CONTRARY, THE FOREGOING WARRANTY SHALL BE THE SOLE AND EXCLUSIVE REMEDY AVAILABLE TO THE PURCHASER. UNDER NO CIRCUMSTANCES, WHETHER IN CONTRACT, TORT OR OTHERWISE, SHALL THE COMPANY'S TOTAL LIABILITY ARISING IN CONNECTION WITH ANY PURCHASE ORDER EXCEED THE AMOUNT OF ANY SALES OR OTHER PROCEEDS RECEIVED PURSUANT THERETO. IN ADDITION, UNDER NO CIRCUMSTANCES, WHETHER IN CONTRACT, TORT OR OTHERWISE, SHALL THE COMPANY BE LIABLE FOR LIQUIDATED, SPECIAL, INDIRECT, INCIDENTAL, EXEMPLARY, OR CONSEQUENTIAL DAMAGES, EXPENSES OR COSTS, INCLUDING, WITHOUT LIMITATION, LOST PROFITS OR FACILITY DOWNTIME, HOWEVER CAUSED AND EVEN IF THE POTENTIAL OF SUCH DAMAGES WAS DISCLOSED AND/OR KNOWN.

No statement, representation, agreement, or understanding, oral or written, made by any agent, distributor, representative, or employee of the Company which is not contained in this Warranty will be binding upon the Company unless made in writing and executed by an officer of the Company.

This warranty shall not be effective as to any claim which is not presented within 30 days after the date upon which the product is claimed not to have been as warranted. Any action for breach of this warranty must be commenced within one year after the date upon which the cause of action occurred.

Any adjustment made pursuant to this warranty shall not be construed as an admission by the Company that any product was not as warranted.

WARRANTY REQUESTS

Products to be returned for warranty analysis shall be approved for return in writing by the Company prior to shipment. All requests for product return shall be submitted by email. Facsimile or letter to:

Warranty Department c/o
Gardner Denver Petroleum Pumps
4747 South 83rd East Avenue
Tulsa, Oklahoma 74145

Email: CCR.QAR@gardnerdenver.com

Facsimile: (918) 664-6225

北京

信德迈科技(北京)有限公司CNMEC Technology

北京朝阳区胜古中路2号金基业大厦201室

邮编：100029

电话：010-8428 2935 13910962635

传真：010-8428 8762

主页：[//www.cnmec.biz](http://www.cnmec.biz)

电子邮件：sales@cnmec.biz

西安

西安嘉岳自动化技术有限公司Garye Automation

地址：西安经开区凤城二路天地时代广场B座23层22312室

邮编：710016

电话：029 - 8610 8648 15319759129

传真：029 - 8610 6806

主页：<http://www.garye.cn>

电子邮件：sales@garye.cn

Gardner
Denver

For additional information contact your local representative or

Gardner Denver Inc.

4747 South 83rd East Avenue, Tulsa, OK 74145

PH: (918) 664-1151, (800) 637-8099

Specifications subject to change without notice.

Copyright © 2001 Gardner Denver, Inc. Litho in U.S.A.