
GARDNER DENVER®

300TWC997
Revision D
March 2011

WELL SERVICING PUMP

MODEL

GD-1250

PARTS LIST

Gardner

Denver

ECN 1058215

GD- 1250 WELL SERVICING PUMP

MAINTAIN PUMP RELIABILITY AND PERFORMANCE WITH GENUINE GARDNER DENVER PARTS AND SUPPORT SERVICES

Gardner Denver® genuine pump parts, manufactured to design tolerances, are developed for optimum dependability. Design and material innovations are the result of years of experience with hundreds of different pump applications. Reliability in materials and quality assurance are incorporated in our genuine replacement parts.

Gardner Denver supports your needs with these services:

- 1 Trained parts specialists to assist you in selecting the correct replacement parts.
- 2 Repair and maintenance kits designed with the necessary parts to simplify servicing your pump.

Authorized service technicians are factory trained and skilled in pump maintenance and repair. They are ready to respond and assist you by providing fast, expert maintenance and repair services.

For the location of your local authorized Gardner Denver distributor refer to the yellow pages of your directory or contact:

Factory (Tulsa):	Service Center (Odessa):	Service Center (Ft. Worth):
Gardner Denver Well Servicing Pumps 4747 South 83 rd East Avenue Tulsa, Oklahoma 74145	Chaparral 2121 West 44 th Street Odessa, Texas 79768	Geoquip 7533 Kathy Lane Ft. Worth, Texas 76126
Phone: (918) 664-1151 (800) 637-8099	Phone: (432) 366-5433 (800) 368-1134	Phone: (817) 249-6400 (800) 824-0271
Fax: (918) 664-6225	Fax: (432) 363-9940	Fax: (817) 249-6401

INSTRUCTION FOR ORDERING REPAIR PARTS

When ordering parts, specify Pump MODEL and SERIAL NUMBER (see nameplate on unit). The Serial Number is also stamped on top of the cylinder end of the frame (cradle area).

Where NOT specified, quantity for parts required per pump unit is one (1); where more than one is required per unit, quantity is indicated in parenthesis.

SPECIFY THE NUMBER OF PARTS REQUIRED.

DO NOT ORDER BY SETS OR GROUPS.

To determine the Right Hand and Left Hand side of a pump, stand at the power end and look toward the fluid end. Right Hand and Left Hand are indicated in parenthesis following the part name, i.e. (RH) & (LH), when appropriate

GARDNER DENVER PRODUCT WARRANTY

GENERAL PROVISIONS AND LIMITATIONS

Gardner Denver (the "Company") warrants to each original retail purchaser ("Purchaser") of its new products, assemblies or parts from the Company or its authorized distributors that such products are, at the time of delivery to the Purchaser, made with good material and workmanship. No warranty is made with respect to:

1. Any product which has been repaired or altered in such a way, in the Company's judgment, as to affect the product adversely.
2. Any product which has, in the Company's judgment, been subject to negligence, accident, or improper storage, improper installation, operation or application. (Examples: over-pressure, sand-outs, cavitation, corrosion, erosion or degradation).
3. Any product which has not been operated or maintained in accordance with the recommendations of the Company.
4. Components or accessories manufactured, warranted and serviced by others.

Any reconditioned or prior owned product.

Claims for items described in (4) above should be submitted directly to the manufacturer.

WARRANTY PERIOD

The Company's obligation under this warranty is limited to repairing or, at its option, replacing, during normal business hours at an authorized service facility of the Company, any part or assembly which in the Company's judgment proved to have unsatisfactory material or workmanship within the applicable Warranty Period as follows.

Except for the products or components listed below, and subject to the limitations and restrictions set forth in the "Disclaimer" section set forth below, the Warranty Period for all products is 1,250 hours of operation or three (3) months after start-up, not to exceed 120 days after delivery to Purchaser, whichever occurs first. The exceptions are as follows:

1. Power end is warranted for twelve (12) months from date of start-up or eighteen (18) months from date of delivery to the Purchaser, whichever occurs first
2. Forged steel fluid cylinders are warranted for materials and workmanship for 6 months from the date of installation or 18 months from the date of delivery to the purchaser, whichever occurs first.

3. Repairs are warranted for 90 days from the date of delivery, for the workmanship and materials of the new parts installed.
4. Weld repaired fluid ends and weld repaired components are not warranted.
5. Expendable fluid end parts, including, but not limited to, valves, valve parts, packing, liners and pistons, are not covered by this warranty due to variable abrasive nature of material pumped.

PRESERVATION ASSEMBLIES DESTINED FOR STORAGE

In order for warranty acceptance any pump assembly not immediately installed or destined to be in storage or in transit for extended periods of time must be prepared for storage as defined in the Company's Long Term Storage Procedure. This includes but is not limited to:

- Drain and thoroughly clean inside power end crankcase.
- Spray rust inhibiting oil on all bearing, machined and inside surfaces of the power end.
- Induce clean gear oil into any circulating pump, filter, heat exchanger and piping.
- Remove valves, seats and plungers from the fluid end. Thoroughly clean and dry these parts and all internal surfaces. Coat all cylinder bores, valve covers and reusable expendable parts with rust preventative.
- Flush all water, and contaminants from pump, tanks, hoses and spray nozzles. Spray all components with a rust inhibiting oil.
- Rotate pump every 30 days to insure bearings are oiled.
- At the expense of the Purchaser, any product properly preserved must be inspected by an authorized agent of the Company, prior to the Company, granting any extended warranty beyond that stated in this warranty.

LABOR TRANSPORTATION AND INSPECTION

The Company will provide labor, by Company representative or authorized service personnel, for repair or replacement of any product or part thereof which in the Company's judgment is proved not to be as warranted. Labor shall be limited to the amount

specified in the Company's labor rate schedule. Labor costs in excess of the Company rate schedules caused by, but not limited to, location or inaccessibility of the equipment, or labor provided by unauthorized service personnel is not provided for by this warranty.

All costs of transportation of product or parts claimed not to be as warranted and, of repaired or replacement parts to or from such service facility shall be borne by the Purchaser. The Company may require the return of any part claimed not to be as warranted to one of its facilities as designated by the Company, transportation prepaid by the Purchaser, to establish a claim under this warranty.

Replacement parts provided under the terms of this warranty are warranted for the remainder of the Warranty Period of the product upon which installed to the same extent as if such parts were original components.

The Company may request a root cause analysis be performed in-order to identify if a request for warranty claim meets the requirements of this warranty.

DISCLAIMER

Except as to title, the foregoing warranty is the sole and exclusive warranty of the Company. The Company hereby extends other manufactures' warranty or guaranties, if any given to Company by such manufacturer, but only to the extent the Company is able to enforce such warranty or guaranties. The Company has not authorized any party to make any representation or warranty other than as expressly set forth herein. SELLER HEREBY DISCLAIMS AND EXCLUDES ANY OTHER EXPRESS, IMPLIED OR STATUTORY WARRANTIES, ARISING BY OPERATION OF LAW OR OTHERWISE, INCLUDING, WITHOUT LIMITATION, ANY WARRANTIES OF MERCHANTABILITY OR FITNESS FOR A PARTICULAR PURPOSE. COMPANY MAKES NO WARRANTIES OR REPRESENTATIONS OF ANY KIND WHATSOEVER (EXPRESS, IMPLIED OR STATUTORY), OF LAW OR OTHERWISE, ON ANY EQUIPMENT, COMPONENT PARTS OR ACCESSORIES SOLD HEREUNDER WHICH, ARE NOT MANUFACTURED BY COMPANY.

NOTWITHSTANDING ANYTHING HEREIN TO THE CONTRARY, THE FOREGOING WARRANTY SHALL BE THE SOLE AND EXCLUSIVE REMEDY AVAILABLE TO THE PURCHASER. UNDER NO CIRCUMSTANCES, WHETHER IN CONTRACT, TORT OR OTHERWISE, SHALL THE COMPANY'S TOTAL LIABILITY ARISING IN CONNECTION WITH ANY PURCHASE ORDER EXCEED THE AMOUNT OF ANY SALES OR OTHER PROCEEDS RECEIVED PURSUANT THERETO. IN ADDITION, UNDER NO CIRCUMSTANCES, WHETHER IN CONTRACT, TORT OR OTHERWISE, SHALL THE COMPANY BE LIABLE FOR LIQUIDATED, SPECIAL, INDIRECT, INCIDENTAL, EXEMPLARY, OR CONSEQUENTIAL DAMAGES, EXPENSES OR COSTS, INCLUDING, WITHOUT LIMITATION, LOST PROFITS OR FACILITY DOWNTIME, HOWEVER CAUSED AND EVEN IF THE POTENTIAL OF SUCH DAMAGES WAS DISCLOSED AND/OR KNOWN.

No statement, representation, agreement, or understanding, oral or written, made by any agent, distributor, representative, or employee of the Company which is not contained in this Warranty will be binding upon the Company unless made in writing and executed by an officer of the Company.

This warranty shall not be effective as to any claim which is not presented within 30 days after the date upon which the product is claimed not to have been as warranted. Any action for breach of this warranty must be commenced within one year after the date upon which the cause of action occurred.

Any adjustment made pursuant to this warranty shall not be construed as an admission by the Company that any product was not as warranted.

WARRANTY REQUESTS

Products to be returned for warranty analysis shall be approved for return in writing by the Company prior to shipment. All requests for product return shall be submitted by email. Facsimile or letter to:

Warranty Department c/o
Gardner Denver Petroleum Pumps
4747 South 83rd East Avenue
Tulsa, Oklahoma 74145

Email: CCR.QAR@gardnerdenver.com
Facsimile:(918)664-6225

TABLE OF CONTENTS

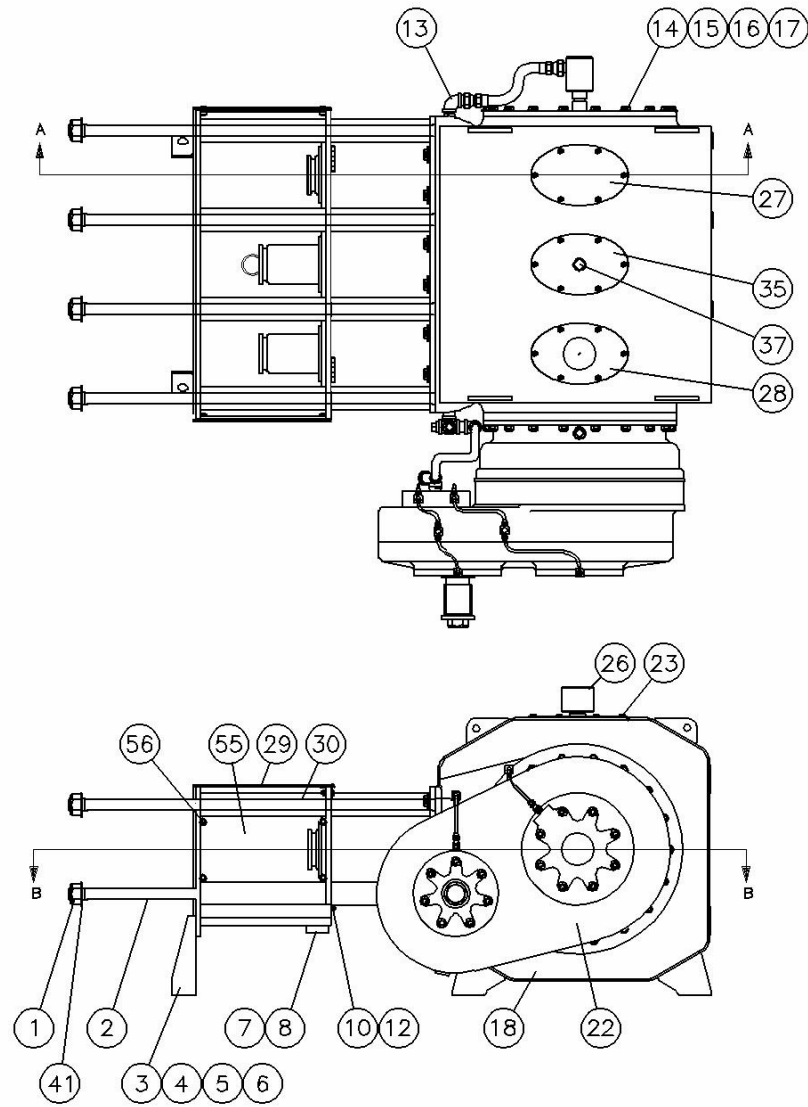
MAINTAIN PUMP RELIABILITY AND PERFORMANCE.....	i
GARDNER DENVER PRODUCT WARRANTY.....	ii
POWER END ASSEMBLY.....	1
CRANKSHAFT GROUP.....	6
ROD GROUP.....	7
FLUID CYLINDER ASSEMBLY – HIGH PRESSURE.....	8
FLUID CYLINDER ASSEMBLY – MEDIUM PRESSURE.....	10
FLUID CYLINDER ASSEMBLY – LOW PRESSURE.....	12
FLUID CYLINDER ASSEMBLY – HIGH PRESSURE WITH D-RING.....	14
FLUID CYLINDER ASSEMBLY – MEDIUM PRESSURE WITH D-RING.....	16
FLUID CYLINDER ASSEMBLY – LOW PRESSURE WITH D-RING.....	18
3¾" HIGH PRESSURE PACKING GROUP.....	20
STUFFING BOX.....	21
PACKING GROUPS.....	22
LUBE PIPING GROUP.....	23
DISCHARGE FLANGE ASSEMBLY.....	24
SUCTION MANIFOLDS.....	27
FLUID END SERVICE TOOLS.....	30
GARDNER DENVER UNIT RECORD.....	31

For Operating and Service Instructions see:

SERVICE MANUAL 300TWC996

POWER END ASSEMBLY

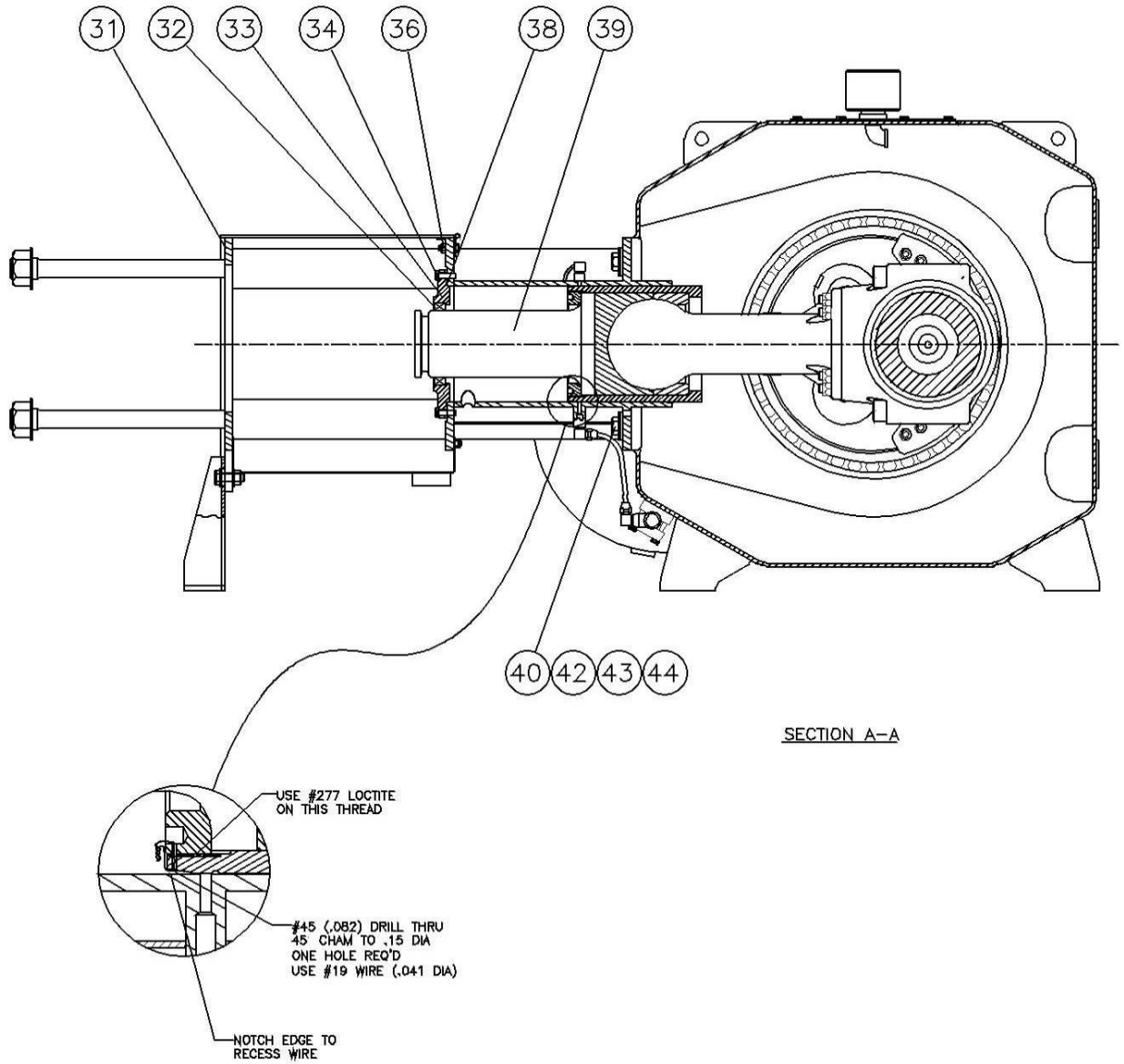
Order by Part Number and Description. Reference Numbers are shown for your convenience only.



300TWC810
Refer to page 4 for parts numbers

POWER END ASSEMBLY

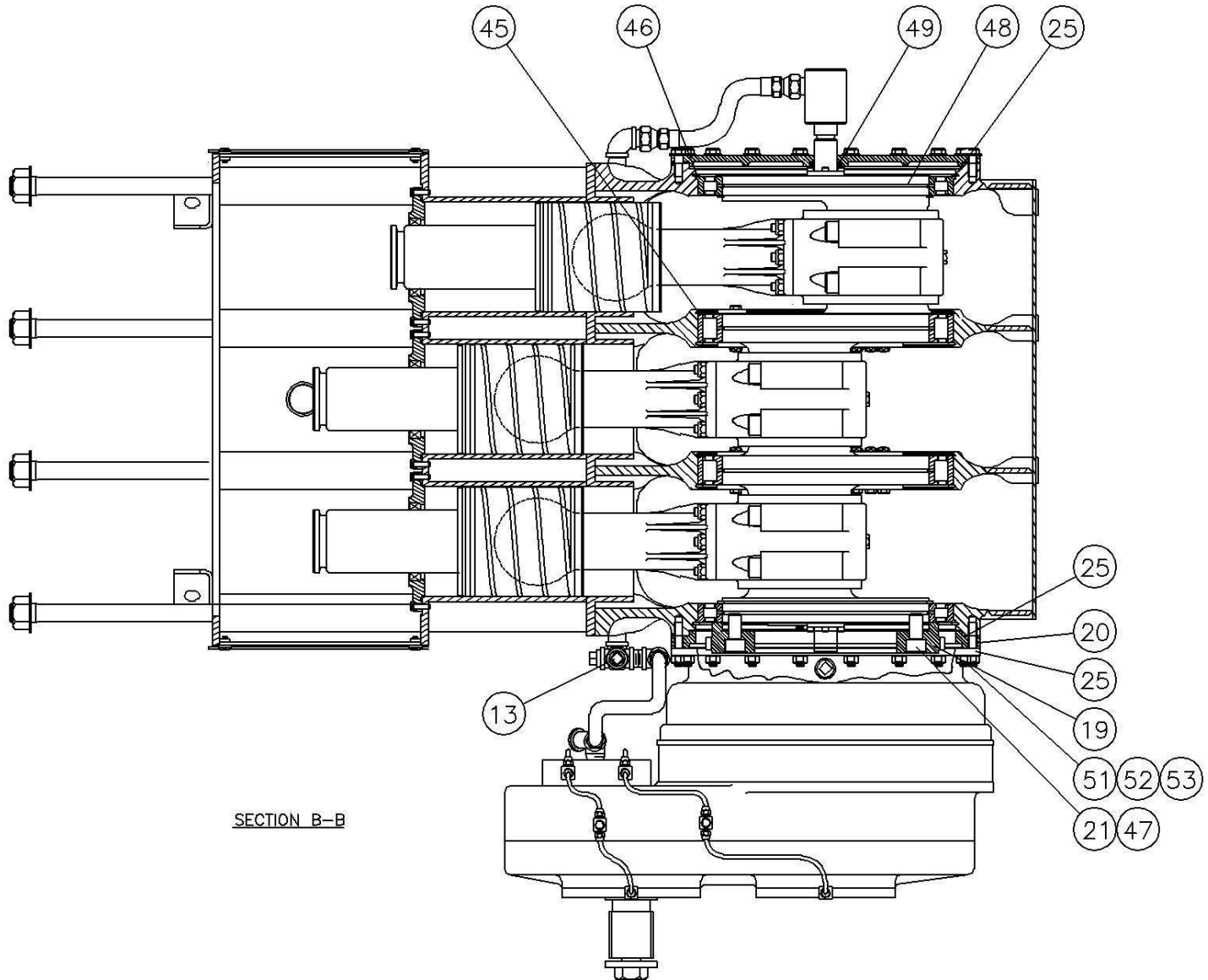
Order by Part Number and Description. Reference Numbers are shown for your convenience only.



300TWC810
Refer to page 4 for parts numbers

POWER END ASSEMBLY

Order by Part Number and Description. Reference Numbers are shown for your convenience only.



300TWC800-B3
Refer to page 4 for parts numbers

POWER END ASSEMBLY

Order by Part Number and Description. Reference Numbers are shown for your convenience only.

Ref. No.	Name of Part	Qty.	Part No.
1	NUT.....	8	50AW54
2	STUD.....	8	300TWB110
3	FOOT.....	2	202TWB166
4	WASHER.....	4	655EF070
5	SCREW.....	8	95F7
6	NUT.....	17	50B31
7	PAN-OIL.....	1	301TWB545
8	SCREW.....	4	75LM51
10	STUD.....	10	79A466
12	NUT-FLANGED.....	10	50AW5
13 *	LUBE PIPING GROUP.....	1	300TWC4012
14	COVER-FRAME.....	1	200TWD368
15	O-RING.....	1	25AH53
16	WASHER.....	18	95F7
17	SCREW.....	18	655EF060
18	FRAME.....	1	203TWB001
19	ADAPTER.....	1	300TWB170
20	ADAPTER.....	1	301TWB170
21	SCREW.....	18	75P152
22	REDUCER-GEAR.....	1	201TWD449
23	SCREW.....	18	75LM51
25	O-RING.....	3	25AH53
26	BREATHER.....	1	200VQC034
27	PLATE-INSPECTION.....	1	200TWD052
28	PLATE-INSPECTION.....	1	201TWD052
29	COVER.....	1	300TWC225
30	HOUSING.....	1	200TWB405
31	PIN-DOWEL.....	2	62V18
32	SEAL-OIL.....	3	201OPB199
33	HEAD-OIL STOP.....	3	200TWD051

* See page 23 for details

POWER END ASSEMBLY

Order by Part Number and Description. Reference Numbers are shown for your convenience only.

Ref. No.	Name of Part	Qty.	Part No.
34	SCREW.....	18	75LM258
35	PLATE-INSPECTION.....	1	300TWC052
36	SCREW.....	4	75LM51
37	PLUG.....	1	64A6
38	O-RING.....	3	25AH47
39 **	ROD GROUP (STANDARD).....	3	200TWB4043
**	ROD GROUP (HEAVY DUTY).....	3	300TWC4043
40	SEAL-FASTENER.....	14	60DD6777
41	WASHER.....	8	95U14
42	SCREW.....	14	75P117
43	WASHER.....	8	95B20
44	PIN-DOWEL.....	2	62V18
45	SNAP RING.....	4	926SH01-7
46	RING-RETAINING.....	2	74D8545
47	PIN-DOWEL.....	3	62V71
48 ***	CRANK SHAFT.....	2	300TWC4040
***	CRANKSHAFT (HEAVY DUTY).....	2	301TWC4040
49	OIL SEAL.....	1	901SH02-13
50 ***	PLUG.....	1	971VP118-013
51	STUD.....	18	300TWC110
52	NUT.....	18	50AQ28
53	LOCKWASHER.....	18	95H12
55	PLATE-INSPECTION.....	2	300TWB052
56	SCREW.....	8	75LM150
57 ***	FITTING-TUBE.....	1	300TWB533
58 ***	SCREW.....	9	75G2
59 ***	SCREW.....	4	75LM199
60 ***	RETAINER.....	3	304TWD205
61 ***	NAMEPLATE.....	1	PP1001260
62 ***	DATA PLATE.....	1	300PA454

* See page 7 for Parts Listing.

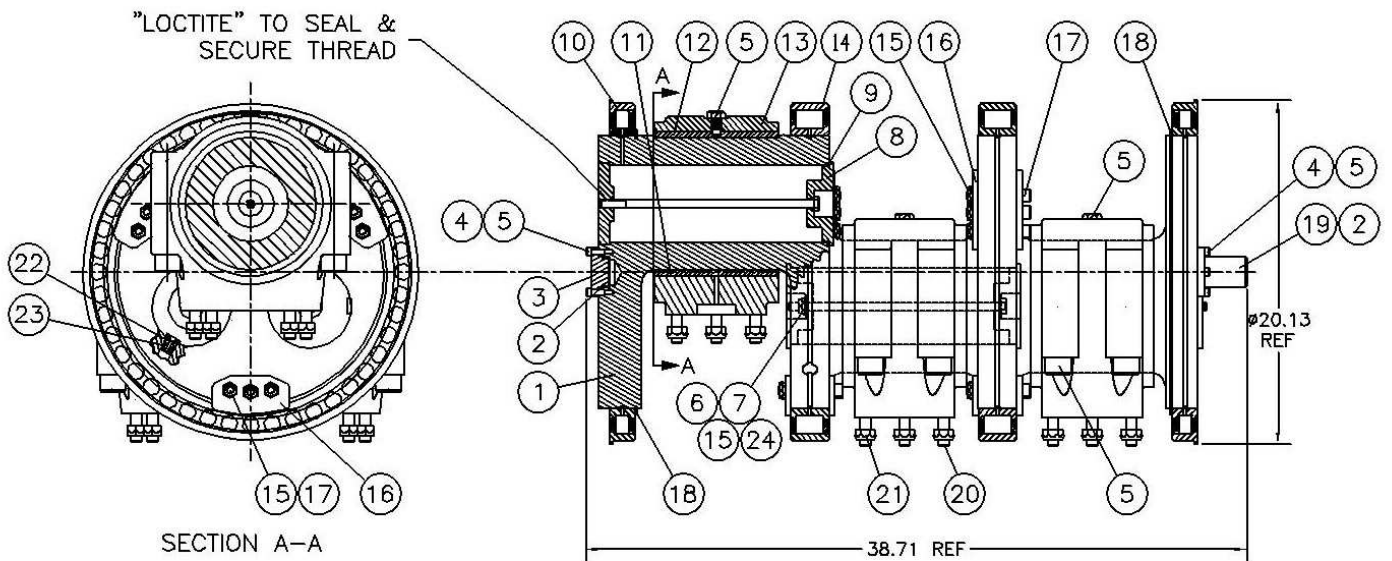
** See page 6 for Parts Listing.

*** Not Shown

CRANKSHAFT GROUP

Order by Part Number and Description. Reference Numbers are shown for your convenience only.

Ref. No.	Name of Part	Qty.	Part No.	Ref. No.	Name of Part	Qty.	Part No.
1	CRANKSHAFT	1	200TWB004	Item 13 includes the following three un-numbered items:			
2	O-RING	2	25W27		SCREW	12	200TWD655
3	PLUG	1	300TWC191		DOWEL PIN	6	634VP007-006
4	SCREW	8	454VP034-006		LOCK PIN	3	201TWD838
5	WIRE	2	174000018	14	BEARING-ROLLER	2	200TWB1466
6	SCREW	3	655EE508	15	NUT	21	50AW29
7	SEAL	5	60DD35	16	RETAINER	12	200TWB205
8	PLUG	5	200TWB191	17	SCREW	18	75P82
9	O-RING	5	25AH24	18	SNAP RING	2	926SH01-1
10	BEARING-ROLLER	2	201TWB1466	19	ADAPTOR	1	202TWD170
11	BEARING	3	301TWB174	20	STUD	18	202TWD110
12	BEARING	3	300TWB174	21	LOCKNUT	18	50AP10
13	HOUSING-BEARING (STD) BEARING HOUSING (HD)	3	200TWB006	22	ORIFICE	2	200TWB814
				23	O-RING	2	25W10
				24	GASKET	5	25F44

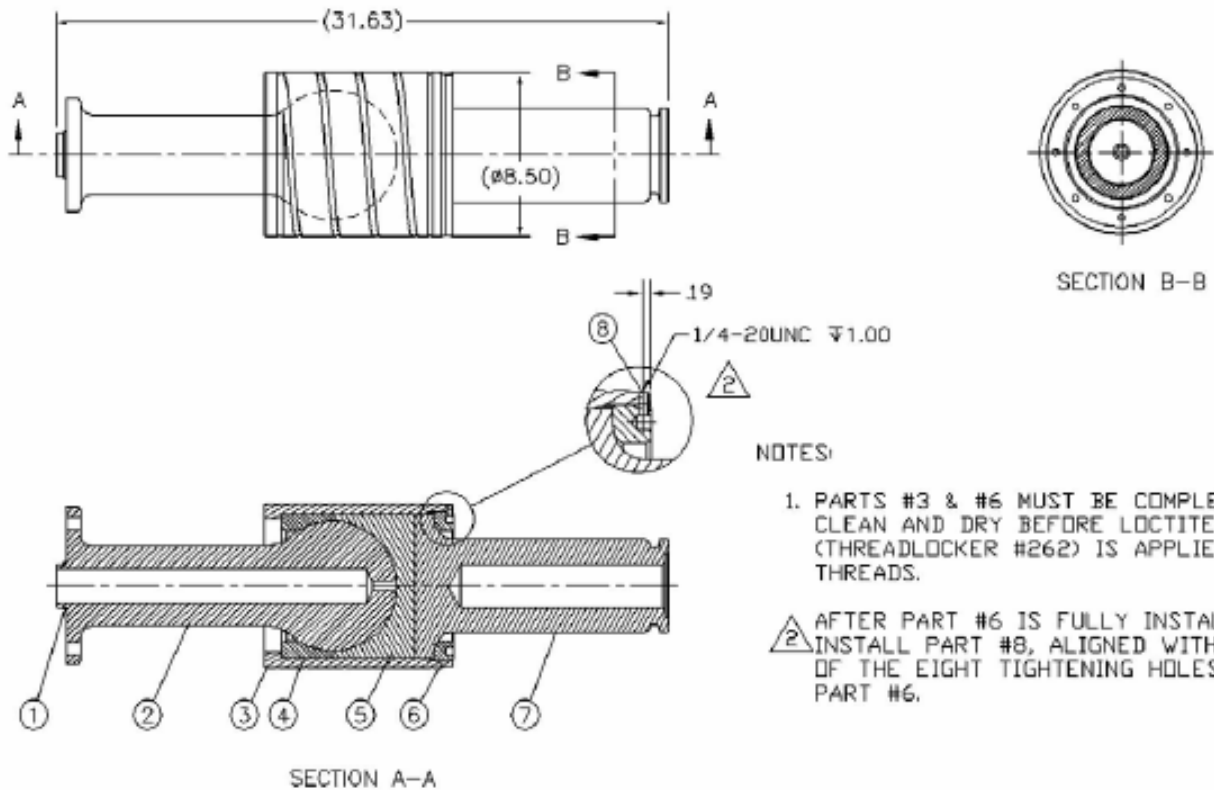


301TWC810

ROD GROUP

Order by Part Number and Description. Reference Numbers are shown for your convenience only.

Ref. No.	Name of Part	Qty.	Part No.
1	O-RING.....	1	25AH4
2	CONNECTING ROD.....	1	PP1012138
3	CROSSHEAD.....	1	300TWB005
4	RETRACT BEARING.....	1	300TWD174
5	THRUST BEARING.....	1	200TWD088
6	RETAINING RING.....	1	300TWD706
7	EXTENSION ROD.....	1	PP1011519
8	SET SCREW.....	1	76F35N

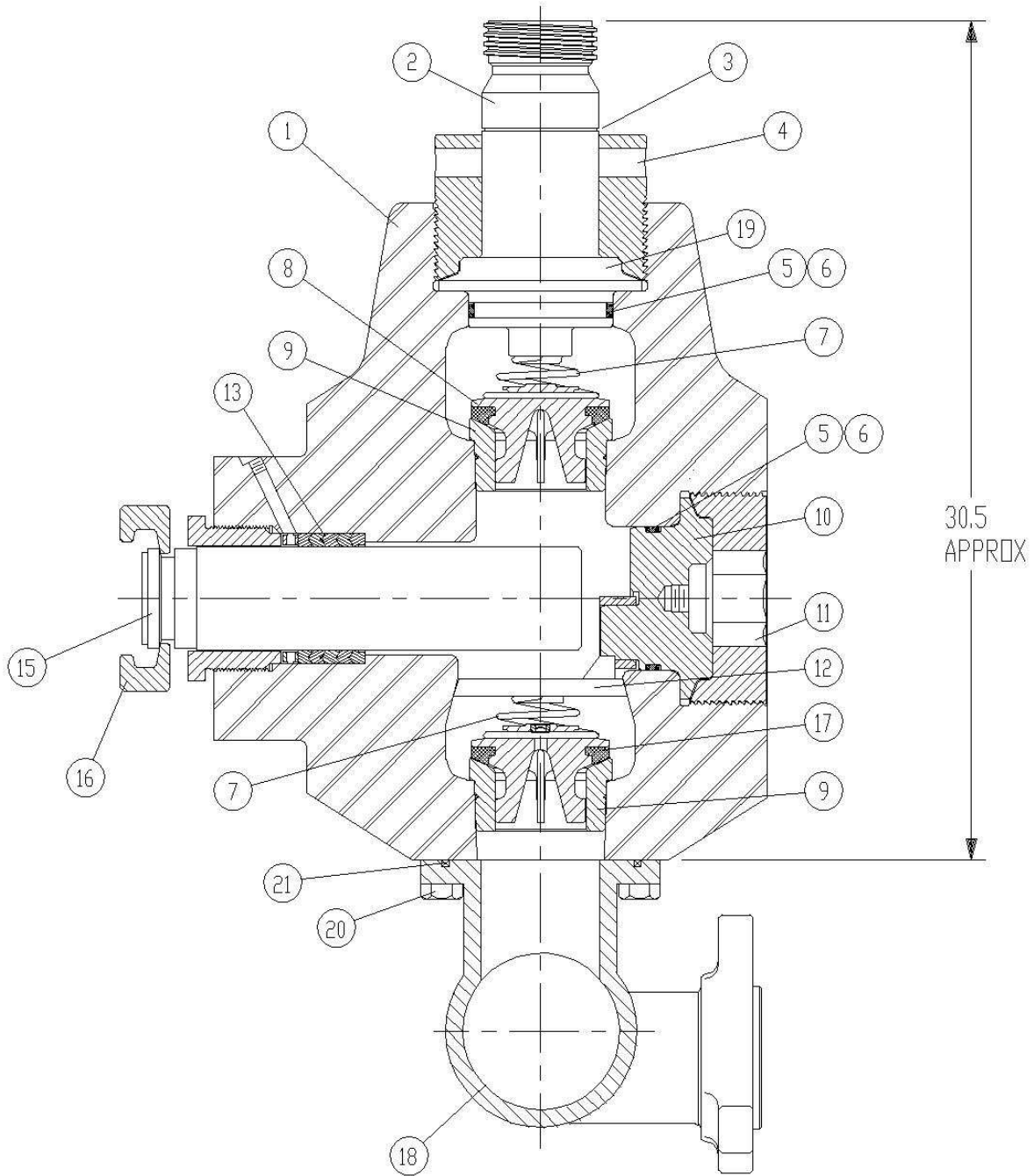


201TWB810

FLUID CYLINDER ASSEMBLY – HIGH PRESSURE

Order by Part Number and Description. Reference Numbers are shown for your convenience only.

(This list covers assemblies built before November 2008. For assemblies built after October 2008 refer to pages 14-19)



FLUID CYLINDER ASSEMBLY – HIGH PRESSURE

Order by Part Number and Description. Reference Numbers are shown for your convenience only.

(This list covers assemblies built before November 2008. For assemblies built after October 2008 refer to pages 14-19)

+ Warning: Valves and seats from Mission, Novatech and MacClathie are NOT compatible. In some cases the parts will physically fit, but operation will result in major reductions of valve and seat service life. Personnel in charge of valve and seat replacement must ensure that the parts installed in a fluid end are from the same manufacturer.

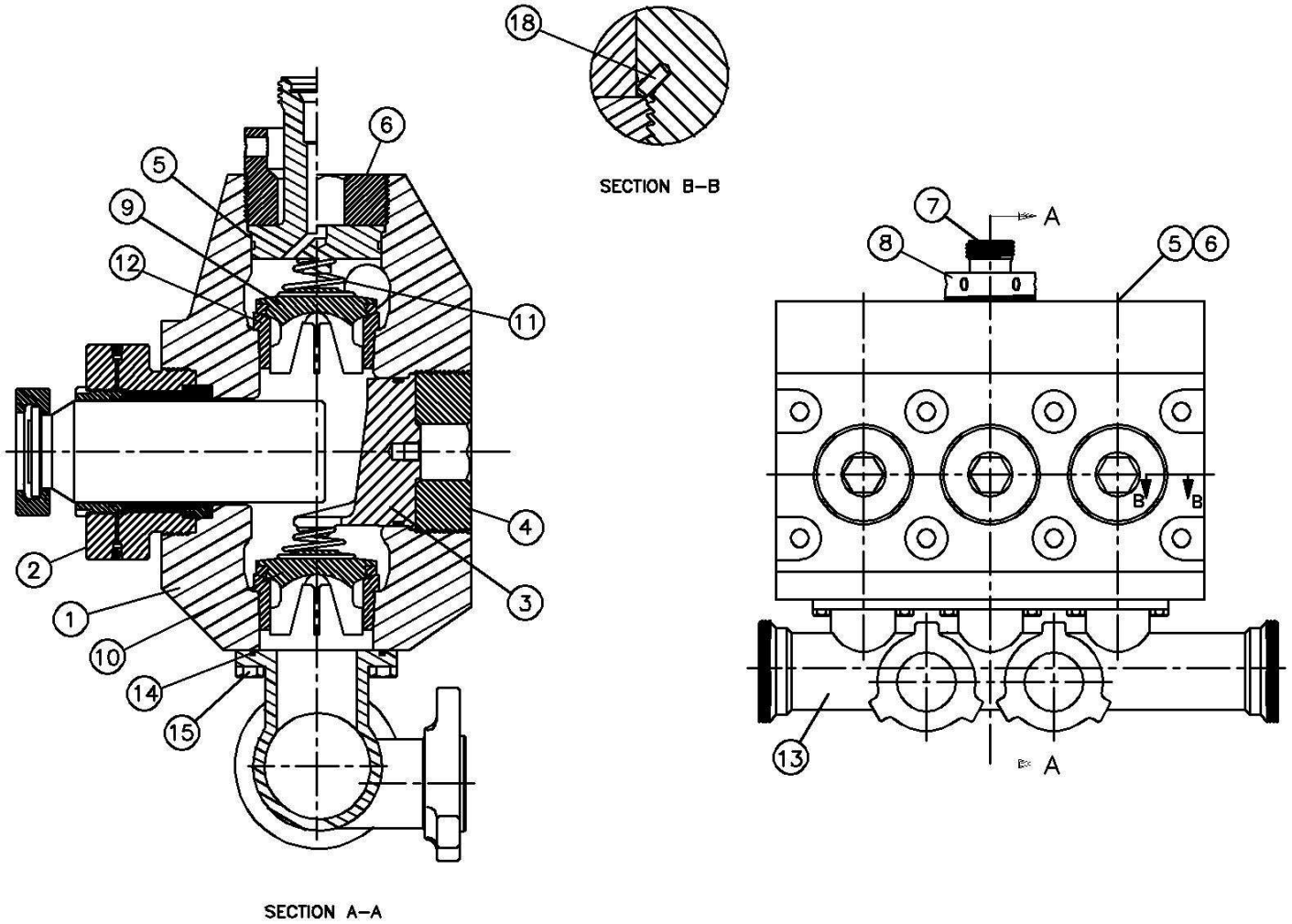
Ref. No.	Name of Part	Qty.	Part No.
1	CYLINDER-FLUID.....	1	302TWB029
2	DISCHARGE VALVE COVER – GAGE CONNECTOR (2"-1502).....	1	303TWB147
*	DISCHARGE VALVE COVER – GAGE CONNECTOR (2"-2002).....	1	300TWC147
3	RETAINING RING.....	1	431640000
4	DISCHARGE VALVE RETAINER.....	1	304TWB205
5	O-RING (-427).....	6	107985
6	BACKUP RING (-427).....	12	25BC658
7	VALVE SPRING.....	6	518532000
+ 8	DISCHARGE VALVE – MACCLATHIE +.....	3	506471000
	DISCHARGE VALVE – MISSION +.....	3	VP1005729
	DISCHARGE VALVE – NOVATECH +.....	3	VP1005732
+ 9	VALVE SEAT – MACCLATHIE +.....	6	511306000
	VALVE SEAT – MISSION +.....	6	VP1005731
	VALVE SEAT – NOVATECH +.....	6	VP1005737
10	SUCTION VALVE COVER.....	3	PP1039286
11	VALVE RETAINER.....	5	500260090
12	SUCTION VALVE SEAT RETAINER.....	3	PP1014014
13	PACKING GROUP (See Page 20 and 22).....	3	
15	PLUNGER.....	3	508895000
16	PLUNGER COUPLING.....	3	302THD092
+ 17	SUCTION VALVE – MACCLATHIE +.....	3	511555000
	SUCTION VALVE – MISSION +.....	3	VP1005730
	SUCTION VALVE – NOVATECH +.....	3	VP1005733
18	SUCTION MANIFOLD (See page 27 thru 29).....	1	
19	DISCHARGE VALVE COVER – BLIND.....	3	304TWB147
20	SCREW.....	12	75A237
21	O-RING (-260).....	3	136236
*	DISCHARGE FLANGES (See pages 24 thru 26).....	1	
*	DATA PLATE.....	1	300OPA454
*	DRIVE SCREWS.....	4	75LM199

* NOT SHOWN

FLUID CYLINDER ASSEMBLY – MEDIUM PRESSURE

Order by Part Number and Description. Reference Numbers are shown for your convenience only.

(This list covers assemblies built before November 2008. For assemblies built after October 2008 refer to pages 14-19)



315TWB810

FLUID CYLINDER ASSEMBLY – MEDIUM PRESSURE

Order by Part Number and Description. Reference Numbers are shown for your convenience only.

(This list covers assemblies built before November 2008. For assemblies built after October 2008 refer to pages 14-19)

+ Warning: Valves and seats from Mission, Novatech and MacClathie are NOT compatible. In some cases the parts will physically fit, but operation will result in major reductions of valve and seat service life. Personnel in charge of valve and seat replacement must ensure that the parts installed in a fluid end are from the same manufacturer.

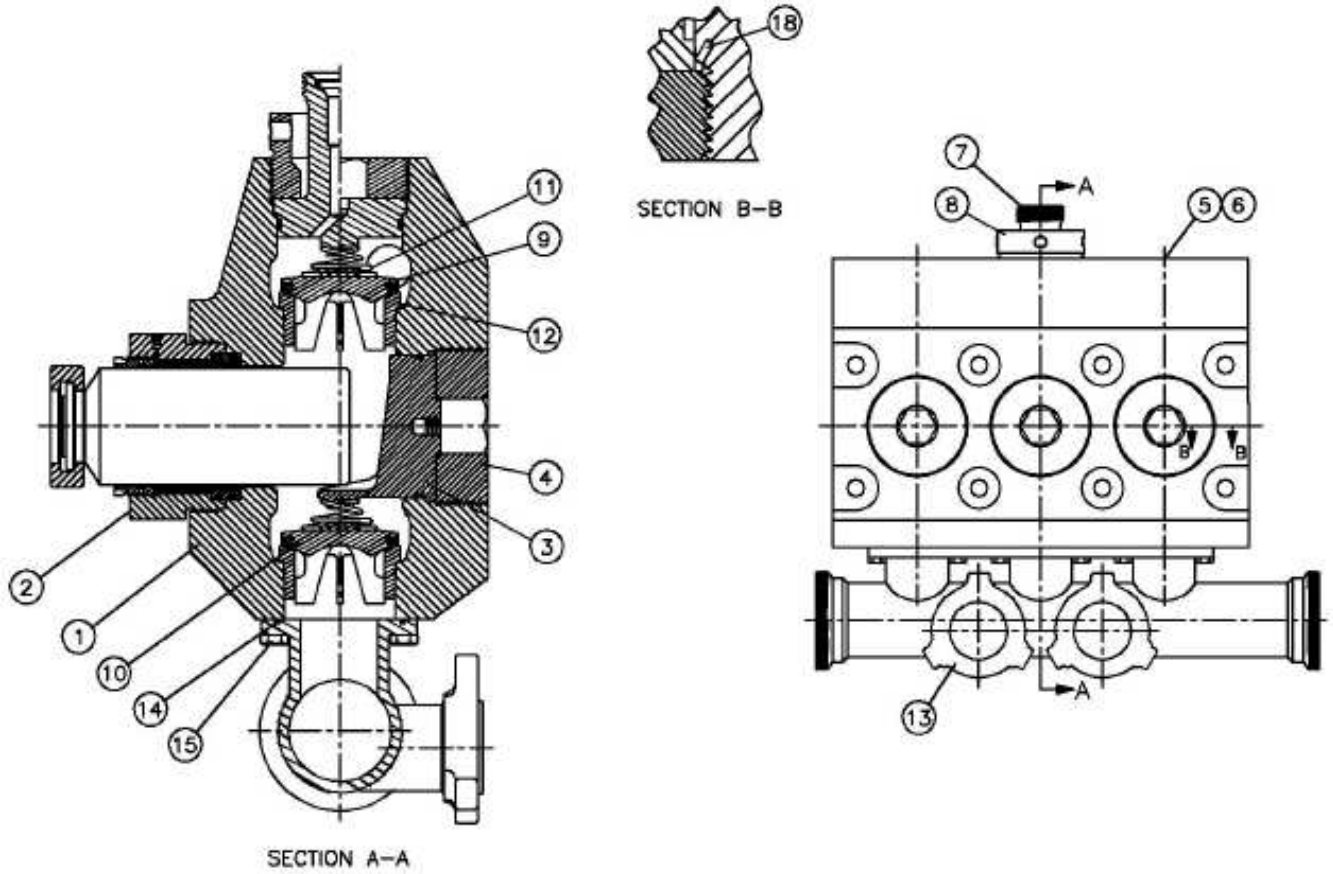
Ref No.	Name of Part	Qty.	Part No.
1	FLUID CYLINDER.....	1	301TWB029
2	STUFFING BOX GROUP – 4.5" (See page 21).....	3	306TWC4041
	STUFFING BOX GROUP – 5.0" (See page 21).....	3	307TWC4041
	STUFFING BOX GROUP – 5.5" (See page 21).....	3	308TWC4041
3	VALVE COVER ASSEMBLY (Includes the next 3 items).....	3	200TWB2016
	VALVE COVER.....	1	200TWB147
	BACKUP RING (-439).....	2	25BC663
	O-RING (-439).....	1	107992
4	SUCTION VALVE RETAINER.....	3	301TWB205
5	DISCHARGE VALVE COVER ASSEMBLY (Includes next 3 items).....	2	201TWB2016
	VALVE COVER.....	1	201TWB147
	BACKUP RING (-431).....	2	25BC659
	O-RING (-431).....	1	162810
6	DISCHARGE VALVE RETAINER.....	2	201TWB205
7	VALVE COVER ASSEMBLY – GAGE CONN (Includes next 4 items).....	1	202TWB2016
	VALVE COVER.....	1	202TWB147
	BACKUP RING (-431).....	2	25BC659
	O-RING (-431).....	1	162810
	SEAL.....	1	901SH06-1
8	DISCHARGE VALVE RETAINER.....	1	203TWB205
+ 9	DISCHARGE VALVE – MACCLATCHIE +.....	3	561829000
	DISCHARGE VALVE – MISSION +.....	3	VP1035028
+ 10	SUCTION VALVE – MACCLATCHIE +.....	3	561831000
	SUCTION VALVE – MISSION +.....	3	VP1073690
11	VALVE SPRING.....	6	518532000
+ 12	VALVE SEAT – MACCLATCHIE +.....	6	200TWB039
	VALVE SEAT – MISSION +.....	6	VP1073502
13	SUCTION MANIFOLD (See page 27 thru 29).....	1	
14	O-RING.....	3	25BC333
15	SCREW.....	12	75A237
18	GUIDE PIN.....	3	300TWB652
*	DISCHARGE FLANGES (See pages 24 thru 26).....	1	
*	DATA PLATE.....	1	203OPA454
*	DRIVE SCREWS.....	4	79LM199

* NOT SHOWN

FLUID CYLINDER ASSEMBLY – LOW PRESSURE

Order by Part Number and Description. Reference Numbers are shown for your convenience only.

(This list covers assemblies built before November 2008. For assemblies built after October 2008 refer to pages 14-19)



305TWB810-C
(Ref. Drawing)

FLUID CYLINDER ASSEMBLY – LOW PRESSURE

Order by Part Number and Description. Reference Numbers are shown for your convenience only.

(This list covers assemblies built before November 2008. For assemblies built after October 2008 refer to pages 14-19)

+ Warning: Valves and seats from Mission, Novatech and MacClathie are NOT compatible. In some cases the parts will physically fit, but operation will result in major reductions of valve and seat service life. Personnel in charge of valve and seat replacement must ensure that the parts installed in a fluid end are from the same manufacturer.

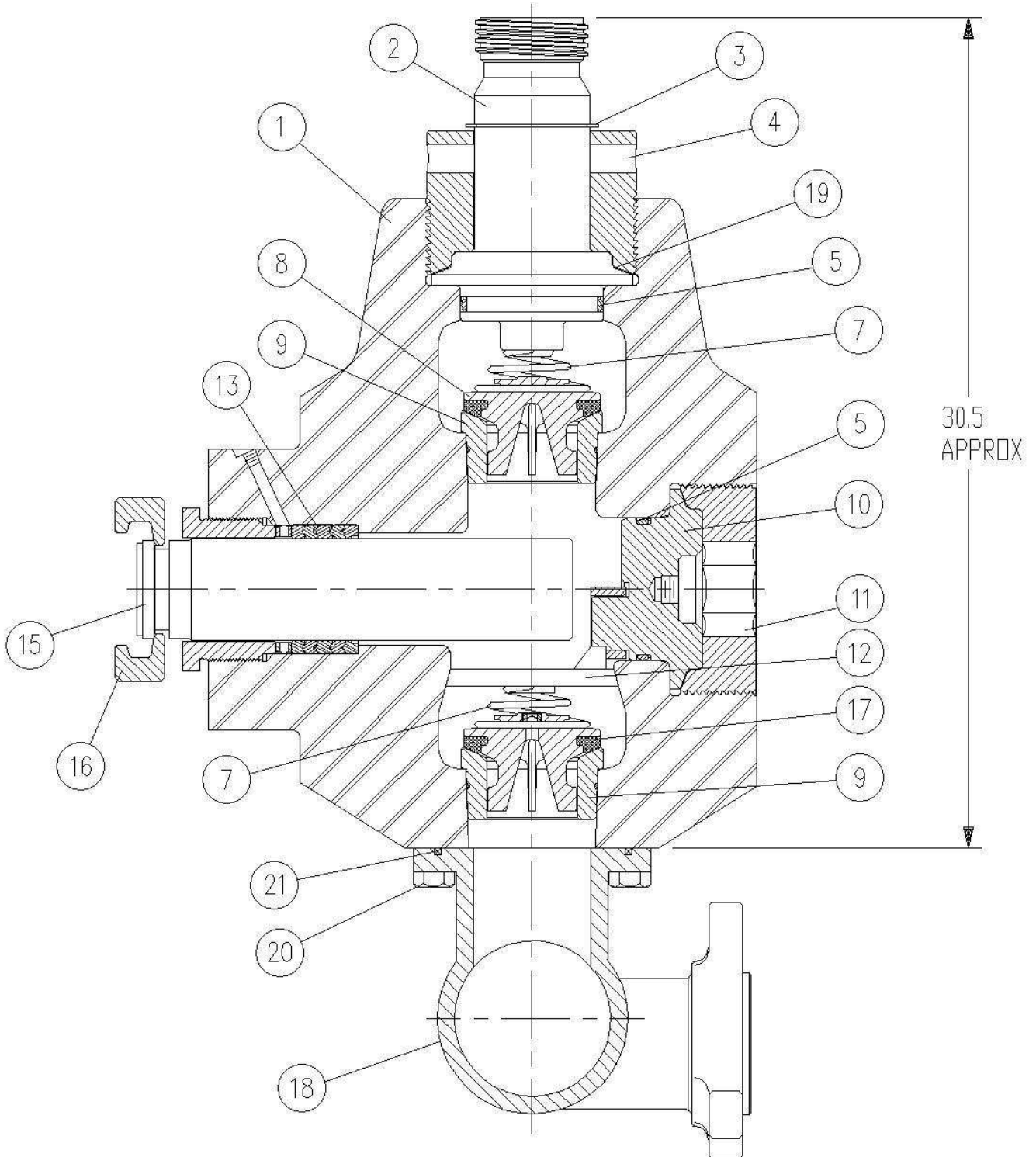
Ref. No.	Name of Part	Qty.	Part No.
1	FLUID CYLINDER.....	1	300TWB029
2	STUFFING BOX GROUP – 5.5" (See Page 21).....	3	
	STUFFING BOX GROUP – 6.0" (See Page 21).....	3	
	STUFFING BOX GROUP – 6.5" (See Page 21).....	3	
3	SUCTION VALVE COVER ASSEMBLY (Includes the next 3 items).....	3	300TWB2016
	VALVE COVER.....	1	300TWB147
	BACKUP RING (-443).....	2	25BC666
	O-RING (-443).....	1	901SH05-443
4	RETAINER.....	3	302TWCB205
5	VALVE COVER ASSEMBLY (Includes the next three items).....	2	301TWB2016
	VALVE COVER.....	1	301TWB147
	RING (-439).....	2	25BC663
	O-RING (-439).....	1	107992
6	RETAINER.....	2	301TWB205
7	VALVE COVER ASSEMBLY (Includes next four items).....	1	302TWB2016
	VALVE COVER.....	1	302TWB147
	RING (-439).....	2	25BC663
	O-RING (-439).....	1	107992
	SEAL.....	1	901SH06-1
8	DISCHARGE VALVE RETAINER.....	1	303TWB205
+ 9	DISCHARGE VALVE – MACCLATCHIE +.....	3	512058000
	DISCHARGE VALVE – MISSION +.....	3	VP1028824
+ 10	SUCTION VALVE – MACCLATCHIE (15K PSI) +.....	3	556228000
	SUCTION VALVE – MISSION (15K PSI) +.....	3	VP1028823
	SUCTION VALVE, 6 ½" PLUNGER ONLY – MACCLATCHIE (10K PSI)+.....	3	512057000
	SUCTION VALVE, 6 ½" PLUNGER ONLY – MISSION (10K PSI) +.....	3	VP1028822
11	VALVE SPRING.....	6	439334000
+ 12	VALVE SEAT – MACCLATCHIE +.....	6	300TWB039
	VALVE SEAT – MISSION +.....	6	VP1028825
13	SUCTION MANIFOLD (See page 27 thru 29).....	1	
14	O-RING (-260).....	3	136236
15	SCREW.....	12	75A237
18	GUIDE PIN.....	3	300TWB652
*	DISCHARGE FLANGES (See pages 24 thru 26).....	1	
*	DRIVE PLATE.....	1	203OPA454
*	DRIVE SCREWS.....	4	79LM199

* NOT SHOWN

FLUID CYLINDER ASSEMBLY – HIGH PRESSURE WITH D-RING

Order by Part Number and Description. Reference Numbers are shown for your convenience only.

(This list covers assemblies built after October 2008. For assemblies built before November 2008 refer to pages 8-13)



Drawing Ref.: 317TWB810

FLUID CYLINDER ASSEMBLY – HIGH PRESSURE WITH D-RING

Order by Part Number and Description. Reference Numbers are shown for your convenience only.

(This list covers assemblies built after October 2008. For assemblies built before November 2008 refer to pages 8-13)

+ Warning: Valves and seats from Mission, Novatech and MacClathie are NOT compatible. In some cases the parts will physically fit, but operation will result in major reductions of valve and seat service life. Personnel in charge of valve and seat replacement must ensure that the parts installed in a fluid end are from the same manufacturer.

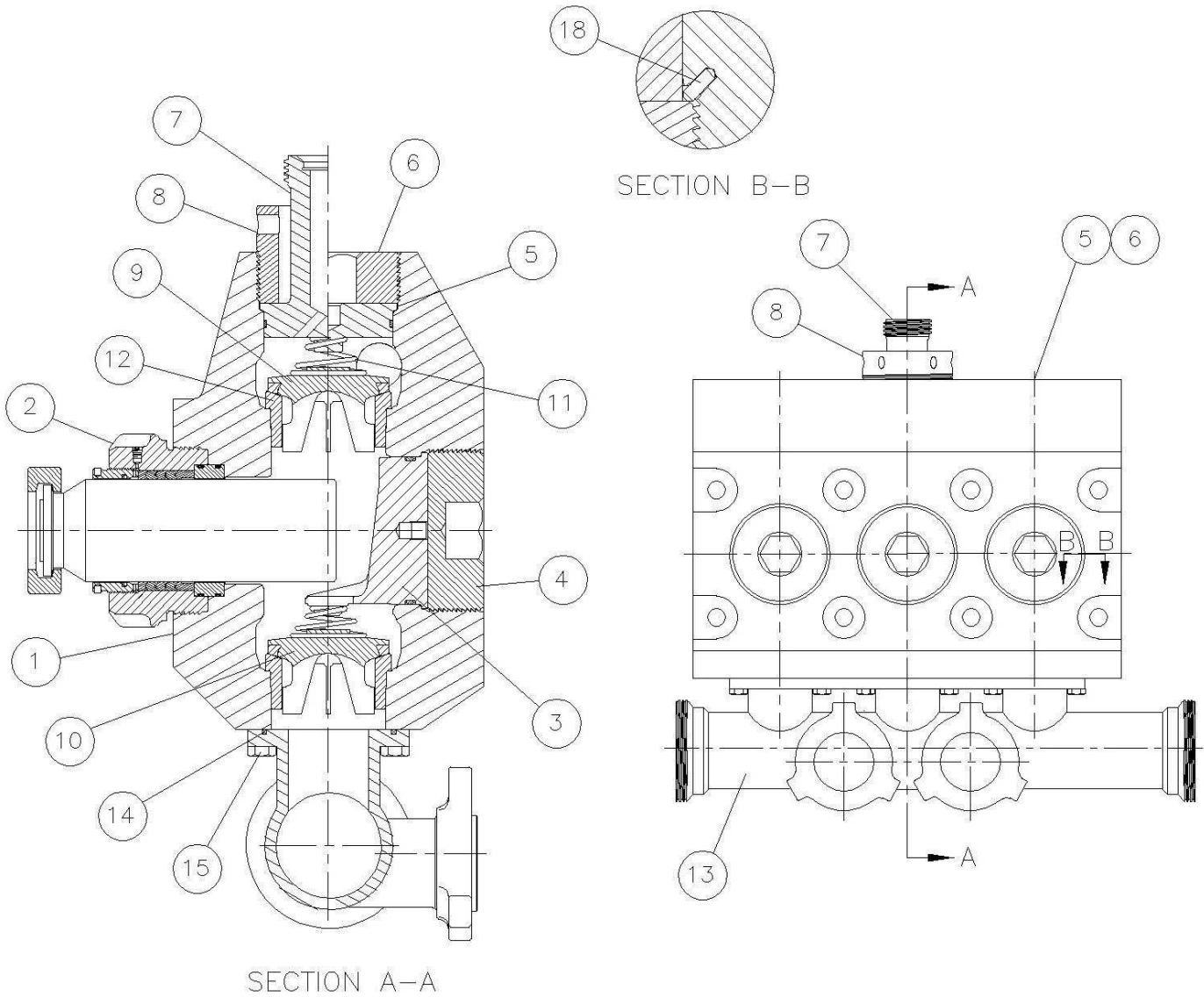
Ref. No.	Name of Part	Qty.	Part No.
1	CYLINDER-FLUID.....	1	302TWB029
2	DISCHARGE VALVE COVER – GAGE CONNECTOR (2"-1502).....	1	PP1039282
*	DISCHARGE VALVE COVER – GAGE CONNECTOR (2"-2002)	1	300TWC147
3	RETAINING RING.....	1	431640000
4	DISCHARGE VALVE RETAINER.....	1	304TWB205
5	D-RING.....	6	VP1041781
7	VALVE SPRING.....	6	518532000
+ 8	DISCHARGE VALVE – MACCLATHIE +.....	3	506471000
	DISCHARGE VALVE – MISSION +.....	3	VP1005729
	DISCHARGE VALVE – NOVATECH +.....	3	VP1005732
+ 9	VALVE SEAT – MACCLATHIE +.....	6	511306000
	VALVE SEAT – MISSION +.....	6	VP1005731
	VALVE SEAT – NOVATECH +.....	6	VP1005737
10	SUCTION VALVE COVER.....	3	PP1039286
11	VALVE RETAINER.....	5	500260090
12	SUCTION VALVE SEAT RETAINER.....	3	PP1014014
13	PACKING GROUP (See Page 20 and 22).....	3	
15	PLUNGER.....	3	508895000
16	PLUNGER COUPLING.....	3	302THD092
+ 17	SUCTION VALVE – MACCLATHIE +.....	3	511555000
	SUCTION VALVE – MISSION +.....	3	VP1005730
	SUCTION VALVE – NOVATECH +.....	3	VP1005733
18	SUCTION MANIFOLD (See page 27 thru 29).....	1	
19	DISCHARGE VALVE COVER – BLIND.....	3	304TWB147
20	SCREW	12	75A237
21	O-RING (-260).....	3	136236
*	DISCHARGE FLANGES (See pages 24 thru 26).....	1	
*	DATA PLATE.....	1	300OPA454
*	DRIVE SCREWS.....	4	75LM199

* NOT SHOWN

FLUID CYLINDER ASSEMBLY – MEDIUM PRESSURE WITH D-RING

Order by Part Number and Description. Reference Numbers are shown for your convenience only.

(This list covers assemblies built after October 2008. For assemblies built before November 2008 refer to pages 8-13)



Drawing Ref.: 315TWB810

FLUID CYLINDER ASSEMBLY – MEDIUM PRESSURE WITH D-RING

Order by Part Number and Description. Reference Numbers are shown for your convenience only.

(This list covers assemblies built after October 2008. For assemblies built before November 2008 refer to pages 8-13)

+ Warning: Valves and seats from Mission, Novatech and MacClathie are NOT compatible. In some cases the parts will physically fit, but operation will result in major reductions of valve and seat service life. Personnel in charge of valve and seat replacement must ensure that the parts installed in a fluid end are from the same manufacturer.

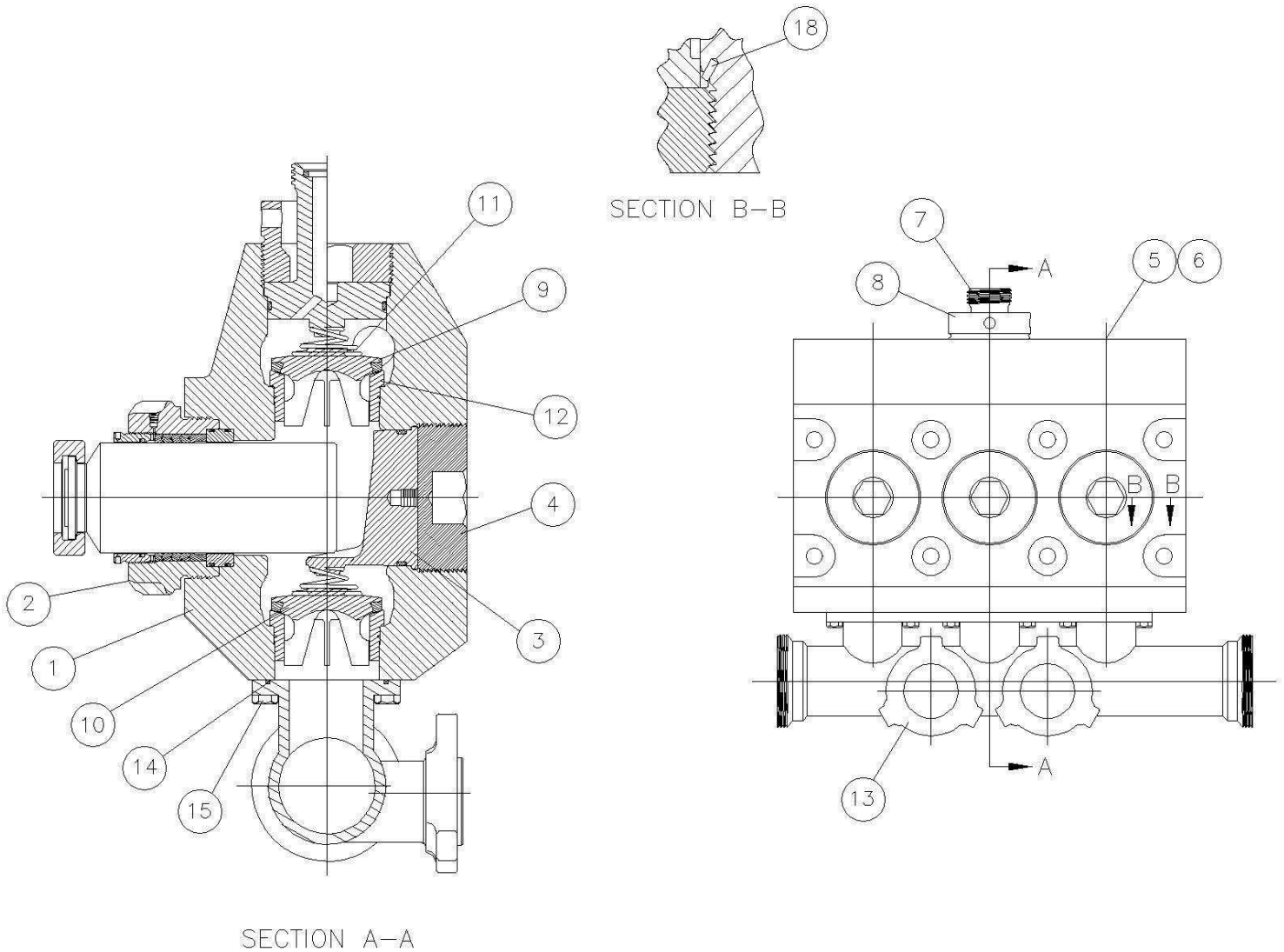
Ref No.	Name of Part	Qty.	Part No.
1	FLUID CYLINDER.....	1	301TWB029
2	STUFFING BOX GROUP – 4.5" (See page 21).....	3	306TWC4041
	STUFFING BOX GROUP – 5.0" (See page 21).....	3	307TWC4041
	STUFFING BOX GROUP – 5.5" (See page 21).....	3	308TWC4041
3	SUCTION VALVE COVER ASSEMBLY (Includes the next 3 items).....	3	200TWB2016
	VALVE COVER.....	1	PP1039668
	D-RING.....	2	VP1028133
4	SUCTION VALVE RETAINER.....	3	PP1014012
5	DISCHARGE VALVE COVER ASSEMBLY (Includes next 3 items).....	2	201TWB2016
	VALVE COVER.....	1	PP1039671
	D- RING.....	2	VP1028127
6	DISCHARGE VALVE RETAINER.....	2	201TWB205
7	VALVE COVER ASSEMBLY – GAGE CONN (Includes next 4 items).....	1	202TWB2016
	VALVE COVER.....	1	PP1039672
	D-RING.....	2	VP1028127
	SEAL.....	1	901SH06-1
8	DISCHARGE VALVE RETAINER.....	1	203TWB205
+ 9	DISCHARGE VALVE – MACCLATCHIE +.....	3	561829000
	DISCHARGE VALVE – MISSION +.....	3	VP1035028
+ 10	SUCTION VALVE – MACCLATCHIE +.....	3	561831000
	SUCTION VALVE – MISSION +.....	3	VP1073690
11	VALVE SPRING.....	6	518532000
+ 12	VALVE SEAT – MACCLATCHIE +.....	6	200TWB039
	VALVE SEAT – MISSION +.....	6	VP1073502
13	SUCTION MANIFOLD (See page 27 thru 29).....	1	
14	O-RING.....	3	25BC333
15	SCREW.....	12	75A237
18	GUIDE PIN.....	3	300TWB652
*	DISCHARGE FLANGES (See pages 24 thru 26).....	1	
*	DATA PLATE.....	1	300OPA454
*	DRIVE SCREWS.....	4	79LM199

* NOT SHOWN

FLUID CYLINDER ASSEMBLY – LOW PRESSURE WITH D-RING

Order by Part Number and Description. Reference Numbers are shown for your convenience only.

(This list covers assemblies built after October 2008. For assemblies built before November 2008 refer to pages 8-13)



Drawing Ref.: 305TWB810

FLUID CYLINDER ASSEMBLY – LOW PRESSURE WITH D-RING

Order by Part Number and Description. Reference Numbers are shown for your convenience only.

(This list covers assemblies built after October 2008. For assemblies built before November 2008 refer to pages 8-13)

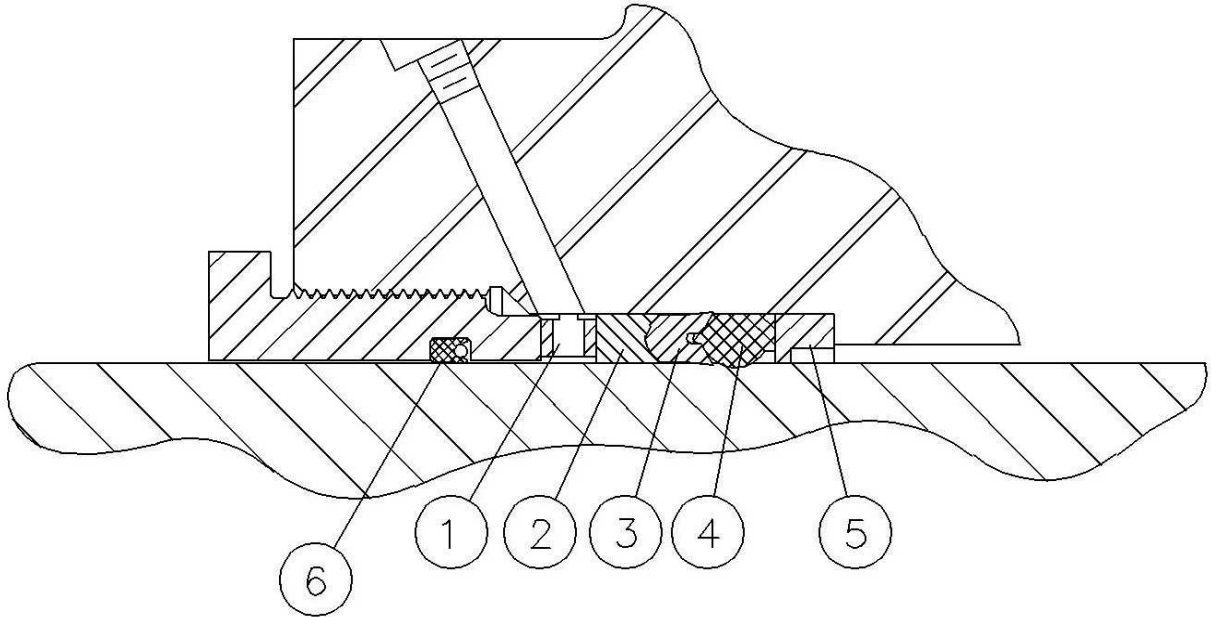
+ Warning: Valves and seats from Mission, Novatech and MacClathie are NOT compatible. In some cases the parts will physically fit, but operation will result in major reductions of valve and seat service life. Personnel in charge of valve and seat replacement must ensure that the parts installed in a fluid end are from the same manufacturer.

Ref. No.	Name of Part	Qty.	Part No.
1	FLUID CYLINDER.....	1	300TWB029
2	STUFFING BOX GROUP – 5.5" (See Page 21).....	3	
	STUFFING BOX GROUP – 6.0" (See Page 21).....	3	
	STUFFING BOX GROUP – 6.5" (See Page 21).....	3	
3	SUCTION VALVE COVER ASSEMBLY (Includes the next 3 items).....	3	300TWB2016
	VALVE COVER.....	1	PP1039480
	D-RING.....	2	PP1004443
4	RETAINER.....	3	PP1014013
5	VALVE COVER ASSEMBLY (Includes the next three items).....	2	301TWB2016
	VALVE COVER.....	1	PP1039674
	D-RING.....	2	VP1028133
6	RETAINER.....	2	301TWB205
7	VALVE COVER ASSEMBLY (Includes next four items).....	1	302TWB2016
	VALVE COVER.....	1	PP1039675
	D-RING.....	2	VP1028133
	SEAL.....	1	901SH06-1
8	DISCHARGE VALVE RETAINER.....	1	303TWB205
+ 9	DISCHARGE VALVE – MACCLATCHIE +.....	3	512058000
	DISCHARGE VALVE – MISSION +.....	3	VP1028824
+ 10	SUCTION VALVE – MACCLATCHIE (15K PSI) +.....	3	556228000
	SUCTION VALVE – MISSION (15K PSI) +.....	3	VP1028823
	SUCTION VALVE, 6 ½" PLUNGER ONLY – MACCLATCHIE (10K PSI)+.....	3	512057000
	SUCTION VALVE, 6 ½" PLUNGER ONLY – MISSION (10K PSI) +.....	3	VP1028822
11	VALVE SPRING.....	6	439334000
+ 12	VALVE SEAT – MACCLATCHIE +.....	6	300TWB039
	VALVE SEAT – MISSION +.....	6	VP1028825
13	SUCTION MANIFOLD (See page 27 thru 29).....	1	
14	O-RING (-260).....	3	136236
15	SCREW.....	12	75A237
18	GUIDE PIN.....	3	300TWB652
*	DISCHARGE FLANGES (See pages 24 thru 26).....	1	
*	DRIVE PLATE.....	1	300OPA454
*	DRIVE SCREWS.....	4	79LM199

* NOT SHOWN

3³/₄" HIGH PRESSURE PACKING GROUP

Order by Part Number and Description. Reference Numbers are shown for your convenience only.



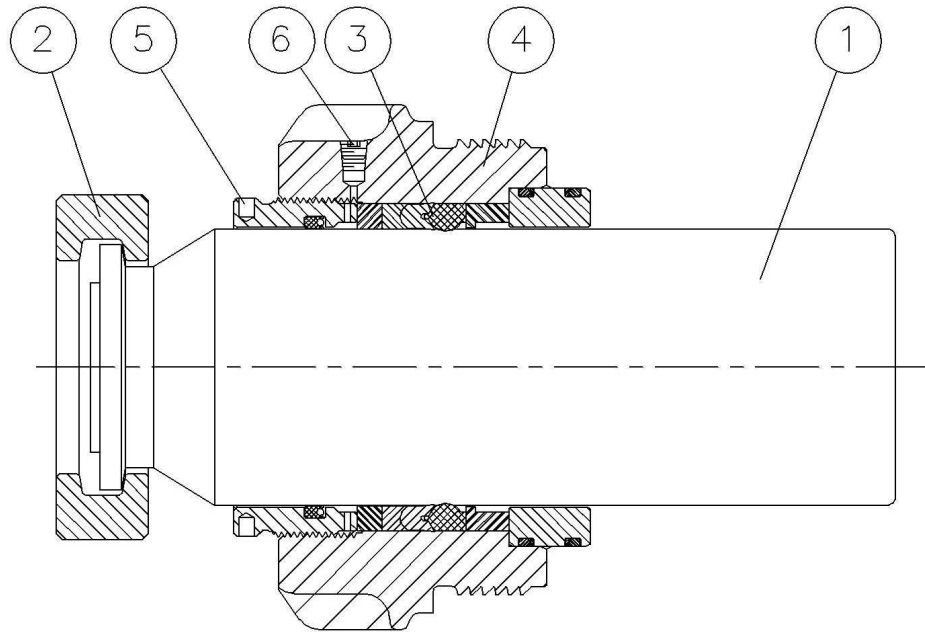
306TWC810

3³/₄" HIGH PRESSURE HEADER RING TYPE PACKING GROUP

Ref. No.	GRP-PACKING Description	Qty.	Part No.
1	GLAND	1	512061000
2	ADAPTOR, FEMALE - PEEK	1	595687000
3	PACKING-RING PTFE	1	595695000
4	HEADER RING	1	595703000
5	JUNK RING	1	300TWC317
6	POLY-PAK SEAL	1	60AM71
7	GLAND	1	457434000
*	WARNING LABEL	1	596791000
*	NOT SHOWN		

STUFFING BOX

Order by Part Number and Description. Reference Numbers are shown for your convenience only.



304TWC810

STUFFING BOX GROUPS – MEDIUM PRESSURE

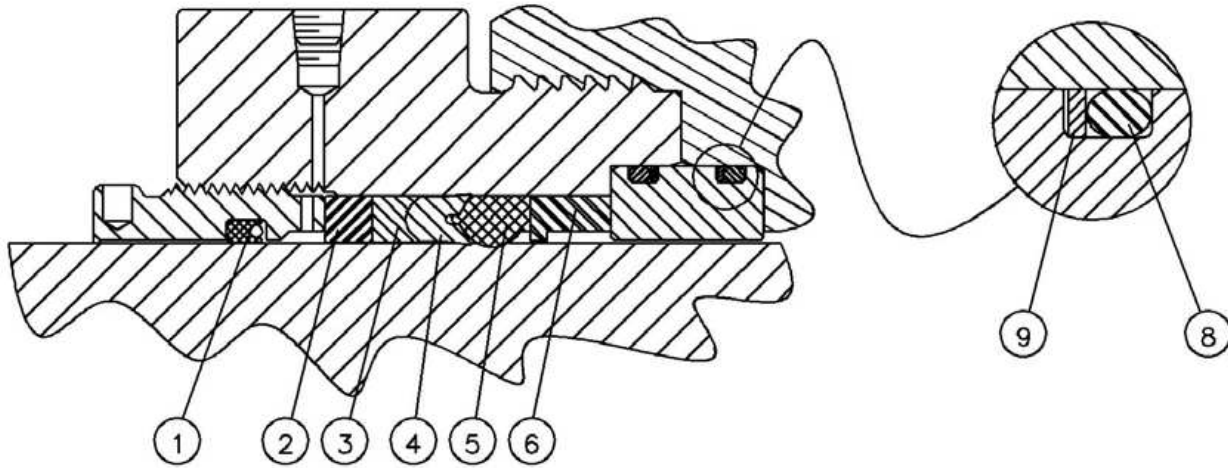
		Size	4-1/2"	5"	5-1/2"
Group Part Ref.			306TWC4041	307TWC4041	308TWC4041
No.	Description	Qty.	Part No.	Part No.	Part No.
1	PLUNGER.....	1	207OPB038	208OPB038	209OPB038
2	PLUNGER COUPLING, Includes.....	1	342-C-76	342-C77	342-C77
	SCREW.....	2	2009617	2009617	75P79
3	PACKING GROUP (See Page 18).....	1	300TWC4060	301TWC4060	302TWC4060
4	STUFFING BOX.....	1	301TWB014	302TWB014	303TWB014
5	GLAND.....	1	310TWB008	311TWB008	312TWB008
6	PLUG.....	5	64AC2	64AC2	64AC2
7	SLEEVE.....	1	300TWB571	301TWB517	302TWB571

NEW STYLE STUFFING BOX GROUPS – LOW PRESSURE

		Size	5-1/2"	6"	6-1/2"
Group Part Ref.			309TWC4041	310TWC4041	311TWC4041
No.	Description	Qty.	Part No.	Part No.	Part No.
1	PLUNGER (PUMP).....	1	209OPB038	211OPB038	157PN001
2	COUPLING-PLGR.....	1	342-C-77	342-C-77	342-C-77
	INCLUDES SCREWS.....	2	2009617	2009617	2009617
3	GRP-PACKING (See page 16).....	1	303TWC4060	304TWC4060	305TWC4060
4	BOX STUFFING.....	1	304TWB014	305TWB014	300TWB014
5	GLAND.....	1	312TWB008	313TWB008	314TWB008
6	PLUG.....	5	64AC2	64AC2	64AC2
7	SLEEVE.....	1	303TWB517	304TWB517	305TWB571

PACKING GROUPS

Order by Part Number and Description. Reference Numbers are shown for your convenience only.



305TWC810

MEDIUM PRESSURE HEADER RING TYPE PACKING GROUPS

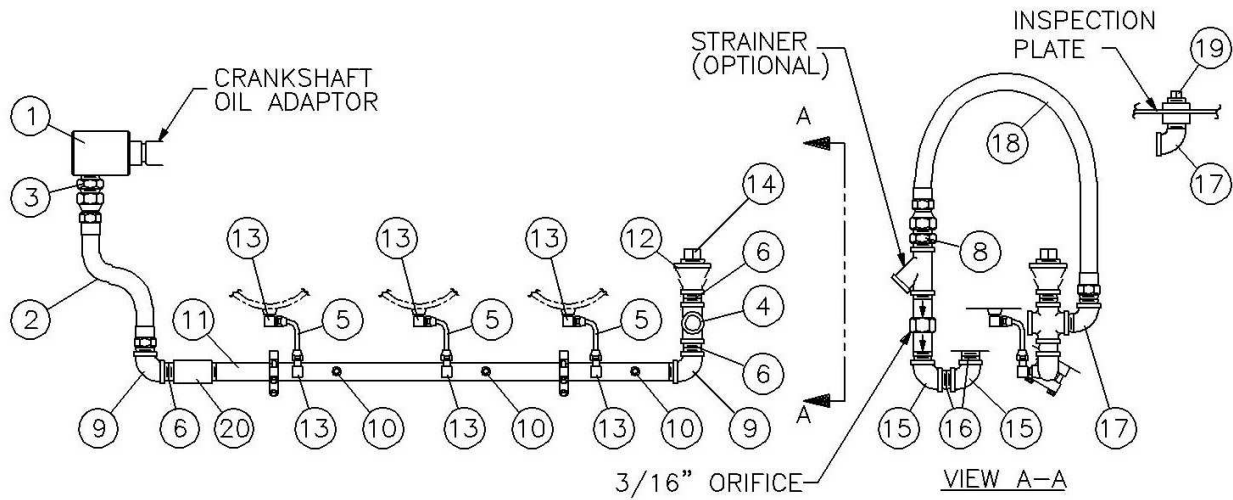
Ref. No.	Description	Qty.	Size 4½"	Part No.	Size 5"	Part No.	Size 5½"	Part No.
1	SEAL	1		60AM73		60AM74		60AM75
2	BRONZE SPACER	1		301TWC144		302TWC144		303TWC144
3	PEEK FEMALE ADAPTER	1		595688000		595689000		595690000
4	TEFLON PRESSURE RING	1		595696000		595697000		595698000
5	HNBR HEADER RING	1		595704000		595705000		595706000
6	JUNK RING	1		302TWC317		303TWC317		304TWC317
7	SLEEVE	1		300TWB571		301TWB571		302TWB571
8	RING (O-RING)	2		901SH05-364		901SH05-364		901SH05-364
9	RING-BACK UP	2		25BC667		25BC667		25BC667

LOW PRESSURE HEADER RING TYPE PACKING GROUPS

Ref. No.	Description	Qty.	Size 5½"	Part No.	Size 6"	Part No.	Size 6½"	Part No.
1	SEAL	1		60AM75		60AM76		60AM77
2	BRONZE SPACER	1		303TWC144		304TWC144		305TWC144
3	PEEK FEMALE ADAPTER	1		595690000		595691000		595692000
4	TEFLON PRESSURE RING	1		595698000		595699000		595700000
5	HNBR HEADER RING	1		595706000		595707000		595708000
6	JUNK RING	1		304TWC317		305TWC317		306TWC317
7	SLEEVE	1		303TWB571		304TWB571		305TWB571
8	RING (O-RING)	2		901SH05-368		901SH05-368		901SH05-368
9	RING-BACK UP	2		25BC668		25BC668		25BC668

LUBE PIPING GROUP

Order by Part Number and Description. Reference Numbers are shown for your convenience only.



302TWC810

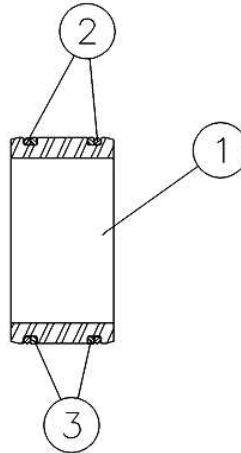
Ref. No.	Name of Part	Qty.	Part No.
1	UNION-ROTARY.....	1	200TWD586
2	HOSE ASSEMBLY.....	1	1025T09
3	ADAPTOR.....	2	29Z214
4	CROSS.....	1	64R18
5	HOSE ASSEMBLY.....	3	30031008
6	NIPPLE.....	3	63H2G
8	ADAPTOR.....	1	119333
9	ELBOW.....	2	64C6
10	PLUG.....	3	64AA5
11	MANIFOLD-OIL.....	1	201TWD116
12	REDUCER PIPE.....	1	64N7
13	ADAPTOR.....	6	29Z242
14	PLUG.....	1	64A8
15	ELBOW PIPE.....	2	64C5
16	NIPPLE-PIPE.....	2	63G2
17	ELBOW.....	2	64D10
18	HOSE ASSEMBLY, Includes next three items.....	1	1025T10
	HOSE.....	1	122406
	ADAPTOR-SWIVEL.....	1	119782
	COUPLING.....	1	119795
19	PLUG.....	1	64A6
20	COUPLING-PIPE.....	1	64BK6

DISCHARGE FLANGE ASSEMBLY

Order by Part Number and Description. Reference Numbers are shown for your convenience only.

DISCHARGE PORT BUSHINGS & O-RINGS ASSEMBLY

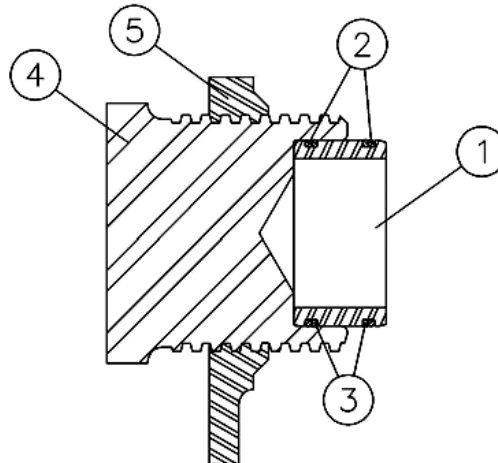
(Used on all fluid ends)



405TWC4038

Ref. No.	Name of Part	Qty	Part No
1	Port Bushing	1	403400090
2	O-Ring	2	169828
3	Backup Ring (For item 2)	2	429003000

BLIND DISCHARGE FLANGE ASSEMBLY



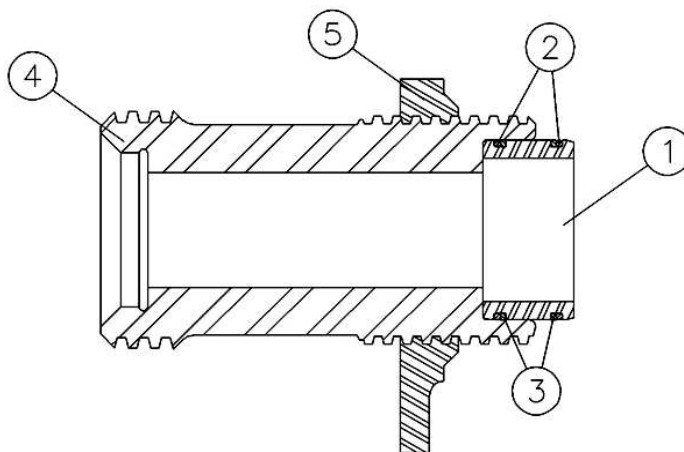
405TWC4038

Ref. No.	Name of Part	Qty	Part No
1	Port Bushing	1	403400090
2	O-Ring	2	169828
3	Backup Ring (For item 2)	2	429003000
4	Plug	1	403404090
5	Wing Nut	1	403403000

DISCHARGE FLANGE ASSEMBLY

Order by Part Number and Description. Reference Numbers are shown for your convenience only.

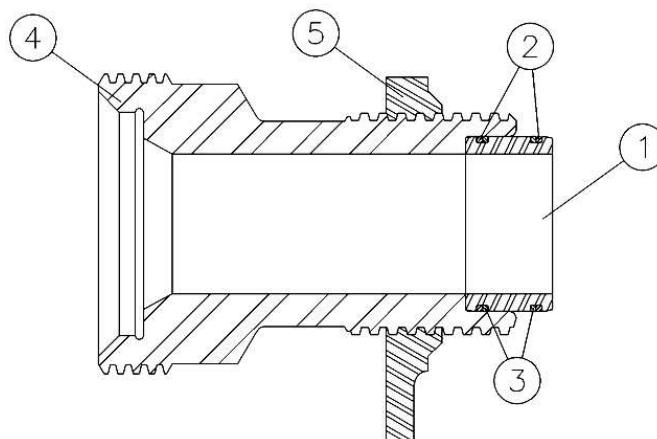
2" 1502 FEMALE DISCHARGE FLANGE ASSEMBLY



402TWC4038

Ref. No.	Name of Part	Qty	Part No
1	Port Bushing	1	403400090
2	O-Ring	2	169828
3	Backup Ring (For item 2)	2	429003000
4	2" 1502 Female Treating Adapter	1	479197090
5	Wing Nut	1	403403000

3" 1502 FEMALE DISCHARGE FLANGE ASSEMBLY



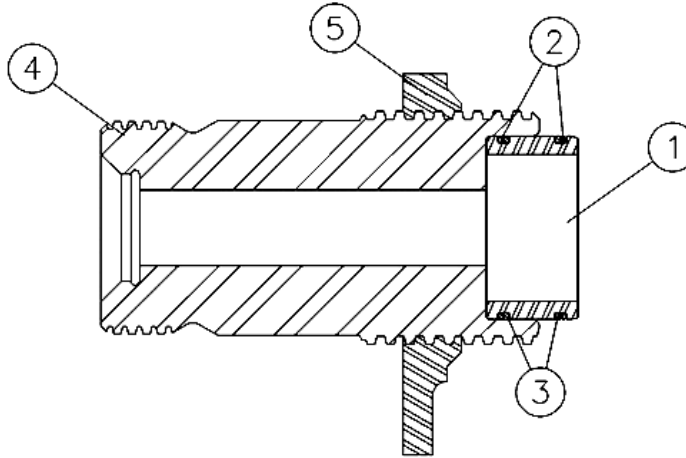
403TWC4038

Ref. No.	Name of Part	Qty	Part No
1	Port Bushing	1	403400090
2	O-Ring	2	169828
3	Backup Ring (For item 2)	2	429003000
4	Plug	1	520915090
5	Wing Nut	1	4034030

DISCHARGE FLANGE ASSEMBLY

Order by Part Number and Description. Reference Numbers are shown for your convenience only.

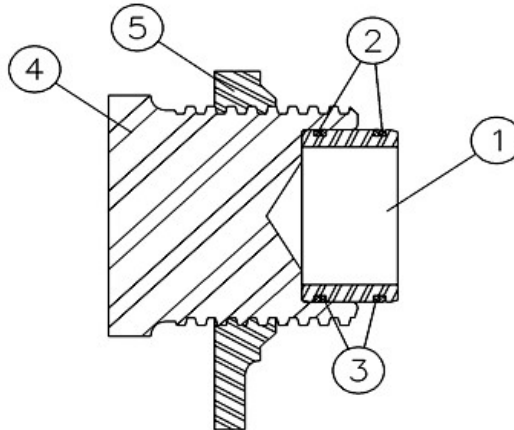
2" 2002 FEMALE DISCHARGE FLANGE ASSEMBLY



404TWC4038

Ref. No.	Name of Part	Qty	Part No.
1	Port Bushing	1	403400090
2	O-Ring	2	169828
3	Backup Ring (For item 2)	2	429003000
4	2" 1502 Female Treating Adapter	1	PP1001852
5	Wing Nut	1	403403000

3" 2002 FEMALE DISCHARGE FLANGE ASSEMBLY

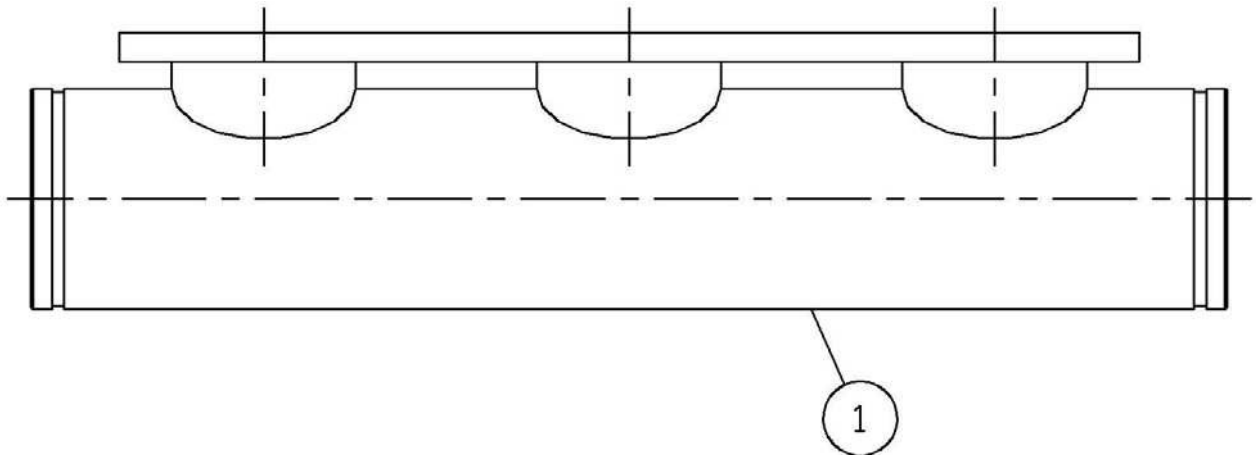


405TWC4038

Ref. No.	Name of Part	Qty	Part No.
1	Port Bushing	1	403400090
2	O-Ring	2	169828
3	Backup Ring (For item 2)	2	429003000
4	Plug	1	PP1027503
5	Wing Nut	1	403403000

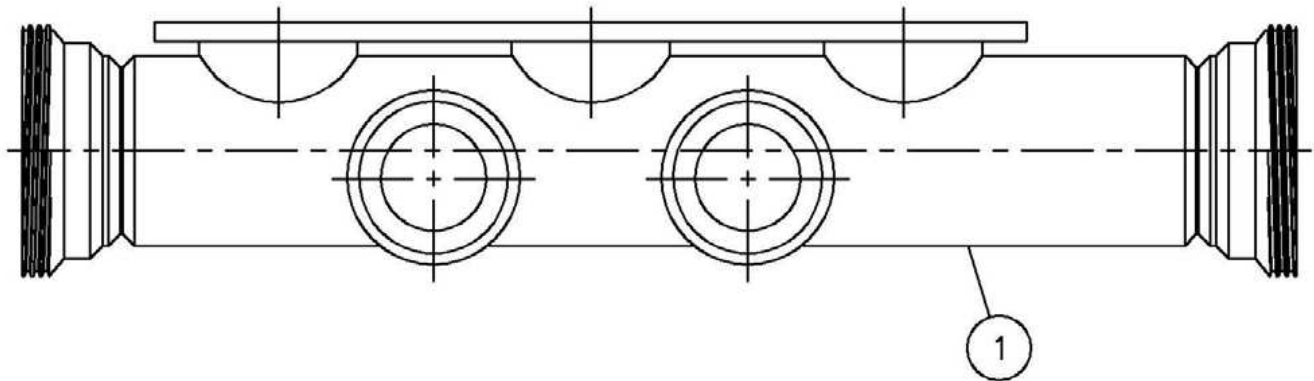
SUCTION MANIFOLDS

Order by Part Number and Description. Reference Numbers are shown for your convenience only.



LOW PRESSURE

Ref. No.	Name of Part	Qty	Part No
1	Suction Manifold	1	300TWB069

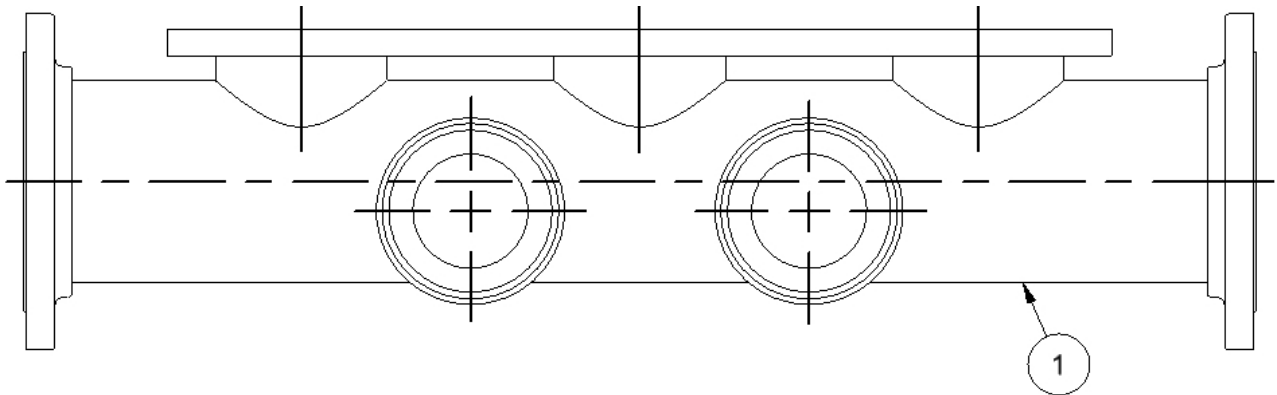


LOW PRESSURE

Ref. No.	Name of Part	Qty	Part No
1	Suction Manifold	1	301TWB069
*	Wing Nut – Cleanout	2	64EB875
*	Plug – Cleanout	2	64EB876
*	O-Ring – Cleanout	2	124642
*	Not Shown		

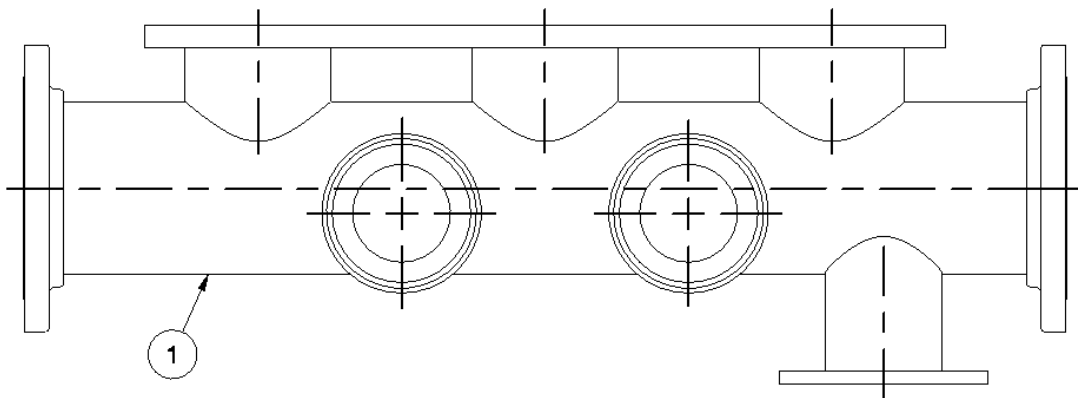
SUCTION MANIFOLDS

Order by Part Number and Description. Reference Numbers are shown for your convenience only.



LOW PRESSURE

Ref. No.	Name of Part	Qty	Part No.
1	Suction Manifold	1	PP1007655
*	Wing Nut – Cleanout	2	64EB875
*	Plug – Cleanout	2	64EB876
*	O-Ring – Cleanout	2	124642
*	Not Shown		

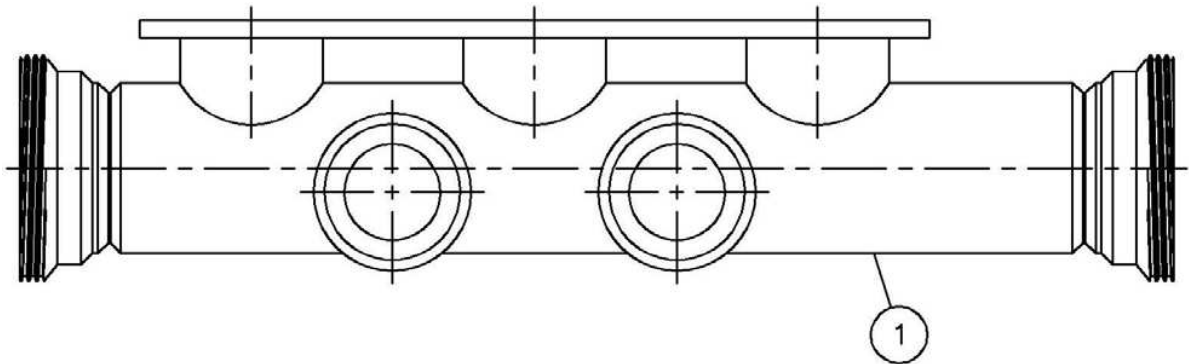


HIGH PRESSURE / MEDIUM PRESSURE

Ref. No.	Name of Part	Qty	Part No.
1	Suction Manifold	1	PP1007656
*	Wing Nut – Cleanout	2	64EB875
*	Plug – Cleanout	2	64EB876
*	O-Ring – Cleanout	2	124642
*	Not Shown		

SUCTION MANIFOLD

Order by Part Number and Description. Reference Numbers are shown for your convenience only.



HIGH PRESSURE / MEDIUM PRESSURE

Ref. No.	Name of Part	Qty	Part No
1	Suction Manifold	1	302TWB069
*	Wing Nut – Cleanout	2	64EB875
*	Plug – Cleanout	2	64EB876
*	O-Ring – Cleanout	2	124642
*	Not Shown		

FLUID END SERVICE TOOLS

Order by Part Number and Description. Reference Numbers are shown for your convenience only.

Ref. No.	Name of Part	Qty	Part No
1	Packing Nut Wrench	1	300TWC933
2	Spring Depressor	1	300TWC074
3	3" Hex Wrench	1	342-A-89
4	Slide Hammer Wrench	1	590PN006
5	Seat Puller Tool Kit (Select from 3 size options below)	1	
	HP (3 ¾" Plunger with 511306000 Seat) Valve Seat Puller Kit		
	Complete 3 ¾" Valve Seat Puller Kit	1	402THD6031
	Seat Puller Jack Assembly (Included)	1	102014
	Puller Head Assembly (Included)	1	PP1062146
	Tool Box (Included)	1	H-400
	MP (4 ½", 5", & 5 ½" Plunger with 200TWB039 Seat) Valve Seat Puller Kit		
	Complete 4 ½ - 5 ½" Valve Seat Puller Kit	1	403THD6031
	Seat Puller Jack Assembly (Included)	1	102014
	Puller Head Assembly (Included)	1	PP1049189
	Tool Box (Included)	1	H-400
	LP (5 ½", 6", & 6 ½" Plunger with 300TWB039 Seat) Valve Seat Puller Kit		
	Complete 5 ½ - 6 ½" Valve Seat Puller Kit	1	405THD6031
	Seat Puller Jack Assembly (Included)	1	102014
	Puller Head Assembly (Included)	1	PP1049190
	Tool Box (Included)	1	H-400

GARDNER DENVER UNIT RECORD

The following unit identification plate is provided as a convenience to you, our valued Gardner Denver customer. Please take the time to copy all the information from the actual nameplate of your unit. The model number, date manufactured and serial number will be required when contacting the company or your distributor for information or replacement parts.

DANGER-READ INSTRUCTION MANUAL BEFORE MOVING OR OPERATING UNIT							
MODEL	<input type="text"/>		DATE MFG	<input type="text"/>		SERIAL NO.	<input type="text"/>
ID NO.	<input type="text"/>		MAX TEMP	<input type="text"/>		C/CASE OIL CAP. GAL	<input type="text"/>
SERVICE	RATED MAX INPUT BHP	RATED MAX INPUT RPM	RATED MAX PUMP RPM	DISCHARGE MAX PSI W.P. OF FLUID CYL.	SUCTION MAX PSI W.P. OF FLUID CYL.	MAX INPUT RPM AT MAX PRESSURE	
CONTINUOUS	<input type="text"/>	<input type="text"/>	<input type="text"/>	<input type="text"/>	<input type="text"/>	<input type="text"/>	
INTERMITTENT	<input type="text"/>	<input type="text"/>	<input type="text"/>	<input type="text"/>	<input type="text"/>	<input type="text"/>	
DISPLACEMENT & PRESSURE AT RATED RPM. SEE O-M MANUAL FOR ADDITIONAL SPECIFICATIONS							
SIZE	<input type="text"/>	<input type="text"/>	<input type="text"/>	<input type="text"/>	<input type="text"/>	<input type="text"/>	
GPM	<input type="text"/>	<input type="text"/>	<input type="text"/>	<input type="text"/>	<input type="text"/>	<input type="text"/>	
PSI	<input type="text"/>	<input type="text"/>	<input type="text"/>	<input type="text"/>	<input type="text"/>	<input type="text"/>	
INTERMITTENT DUTY MAXIMUM PRESSURE. SEE O-M MANUAL FOR ADDITIONAL SPECIFICATIONS							
PSI	<input type="text"/>	<input type="text"/>	<input type="text"/>	<input type="text"/>	<input type="text"/>	<input type="text"/>	
Gardner Denver			PURCHASER ID NO.	<input type="text"/>			
2000PA496		Gardner Denver Quincy, Illinois		MADE IN USA			
GIVE MODEL, ID NO. AND SERIAL NO. WHEN ORDERING REPAIR PARTS OR SERVICE							

2000PA496
(Ref. Drawing)

Gardner Denver

北京

信德迈科技(北京)有限公司CNMEC Technology
北京朝阳区胜古中路2号金基业大厦201室
邮编: 100029
电话: 010-8428 2935 13910962635
传真: 010-8428 8762
主页: //www.cnmec.biz
电子邮件: sales@cnmec.biz

西安

西安嘉岳自动化技术有限公司Garye Automation
地址: 西安经开区凤城二路天地时代广场B座23层22312室
邮编: 710016
电话: 029 - 8610 8648 15319759129
传真: 029 - 8610 6806
主页: http://www.garye.cn
电子邮件: sales@garye.cn