

Pump Aggregat HPS MP 60-70 with CAT C15/Allison 6000 Serie



HPS Hochdruckpumpenservice GmbH
Schmolkamp 4B
D-29358 Eicklingen
Germany

Tel: +49(0)5144-1869
Fax: +49(0)5144-56605
E-mail: info@hps-celle.de
Web: www.hps-celle.de

S&U Triplex-Mud-Pump BT 60-70

(Heavy Duty / for continuous operation)

Compact high-capacity pump for drilling fluids operating at pressures of up to 350 bar and maximum pumping rates of 160 m³/h.

FIELD OF APPLICATION:

- Vertical drilling for Geothermal energy, Oil- and gas exploration

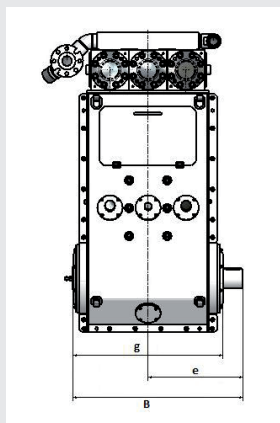
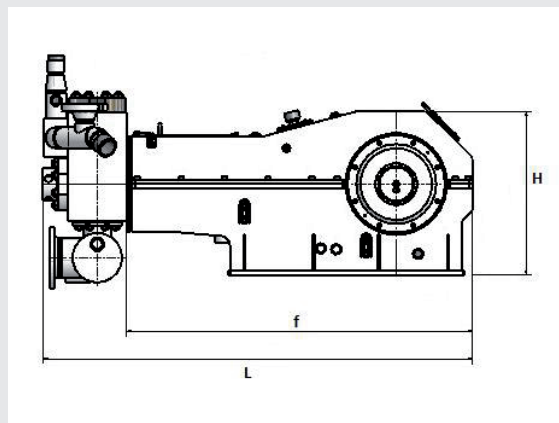
SPECIAL REQUIREMENTS:

- API 674
- ATEX Zone 2, T3
- EN ISO 13710

COMPONENTS / SERVICE:

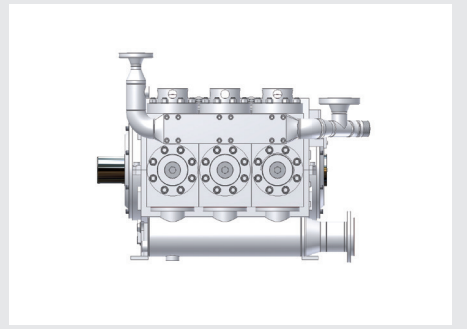
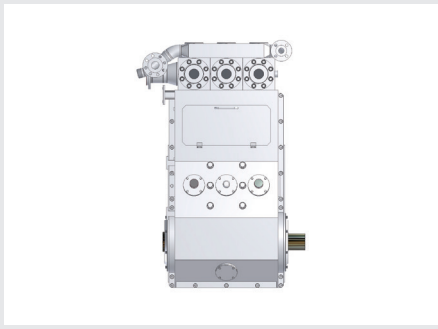
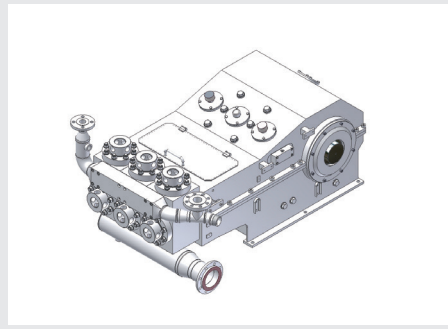
- Complete pump unit or individual pump
- Upgradeable with Monitoring system (SUMO)
- Commissioning and continuous maintenance world wide
- Spare part service

DIMENSIONS:



BT 60-70	Dimension in mm
Total Length L	2280
Length f only power end	1830
Total Height H	955
Total Width B	1300
Width g excluding journal	1020
Width e from center line	720

EXAMPLES FOR PUMP UNITS:



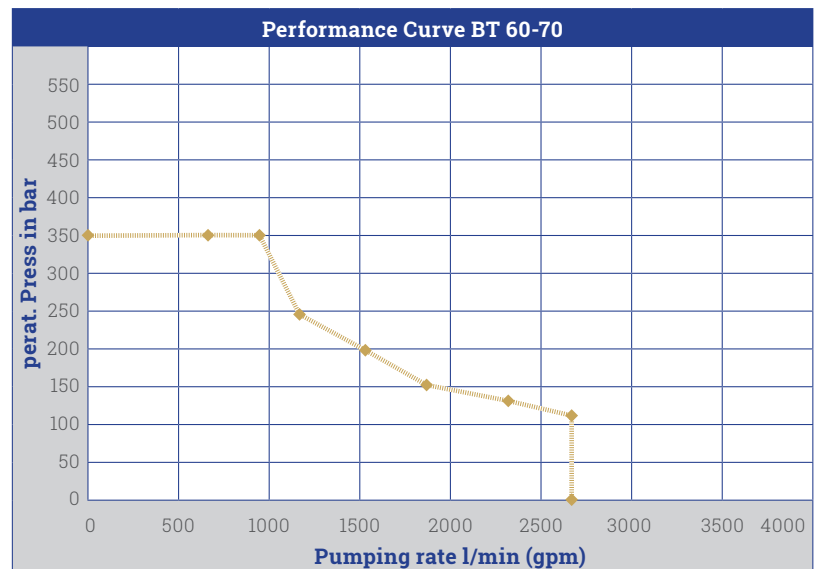
S&U Triplex-Mud-Pump BT 60-70

(Heavy Duty / for continuous operation)

PERFORMANCE DATA:

- **Weight:** approx. 4,860 kg
- **Pumping rate:** up to 2,709 l/min
- **Drive power:** up to 575kW
- **Fluids:** drilling suspension, bentonite mixture
- **Fluid temperature:** up to 90°C
- **Piston force max.:** 200,000N
- **Stroke:** 180mm
- **Average piston speed:**
 - 275 min⁻¹: 1.65 m/Sec.
 - 250 min⁻¹: 1.50 m/Sec.
 - 200 min⁻¹: 1.20 m/Sec.

Piston-Ø	Inch	3	3.5	4	4.5	5	5.5	6
	mm	76.2	88.9	101.6	114.3	127	139.7	152.4
Operat. press	bar (psi)	350 (5076)	350 (5076)	245 (3553)	195 (2828)	155 (2248)	130 (1886)	110 (1595)
Revolutions		Pumping rate l/min (gpm)						
275 min ⁻¹		677 (179)	922 (244)	1204 (318)	1524 (403)	1881 (497)	2276 (601)	2709 (716)
250 min ⁻¹		616 (163)	838 (221)	1094 (289)	1385 (366)	1710 (452)	2069 (547)	2463 (651)
200 min ⁻¹		493 (130)	670 (177)	876 (231)	1108 (293)	1368 (361)	1655 (437)	1970 (520)
150 min ⁻¹		369 (97,5)	503 (133)	657 (174)	831 (220)	1026 (271)	1242 (328)	1478 (390)
100 min ⁻¹		246 (65)	335 (88,5)	438 (116)	554 (146)	684 (181)	828 (219)	985 (260)
50 min ⁻¹		123 (32,5)	168 (44,4)	219 (57,9)	277 (73,2)	342 (90,3)	414 (109)	493 (130)



Water Hydraulic ♦ High Pressure Technology ♦ Industrial Pumps ♦ Welding ♦

SCHÄFER & URBACH GmbH
Kaiserswerther Straße 74
40878 Ratingen

info@schaefer-urbach.com
www.schaefer-urbach.com
Telefon: (+49) 21 02 / 45 07 - 0



SCHÄFER & URBACH
System and High Pressure Technology

Pumping table

high pressure pump container

Equipment:		Pump MP60-70, Fluid End 6" Engine Caterpillar C-15, 433 KW Allison Serie 6000 Gear unit electrical switched								
Gear level	i									
1	4 : 1	1400	1500	1600	1700	1800	1900	2000	2100	Rpm
		396	424	452	481	509	537	565	594	Liter
		110*	110*	110*	110*	110*	110*	110*	110*	bar
2	2,68 : 1	1400	1500	1600	1700	1800	1900	2000	2100	Rpm
		591	633	675	717	760	802	844	886	Liter
		110*	110*	110*	110*	110*	110*	110*	110*	bar
3	2,01 : 1	1400	1500	1600	1700	1800	1900	2000	2100	Rpm
		788	844	900	956	1013	1069	1125	1181	Liter
		110*	110*	110*	110*	110*	110*	110*	110*	bar
4	1,35 : 1	1400	1500	1600	1700	1800	1900	2000	2100	Rpm
		1173	1256	1340	1424	1508	1592	1675	1759	Liter
		110*	110*	110*	110*	110*	110*	110*	110*	bar
5	1,00 : 1	1400	1500	1600	1700	1800	1900	2000	2100	Rpm
		1583	1696	1809	1922	2035	2149	2262	2375	Liter
		110*	110*	110*	110*	110*	108	103	98	bar